



THE CROWN
FOR YOUR
KITCHEN

**REGINOX**

PRODUCT CATALOGUE

Dutch quality
for the kitchen



**REGINOX**

REGINOX STANDS FOR HIGH QUALITY AND
INNOVATIVE SINKS AND WORKTOPS

Ever since 1976, Reginox has led the way in quality and innovation in sinks and worktops for the kitchen, project and healthcare markets. We design, develop and produce these products in-house, in numerous styles and versions. We also supply matching taps and accessories.



The Crown for your Kitchen

With our constantly-evolving range, we are a major player in the national and international kitchen and project markets. One reason for this is that we always pay close attention to the desires of consumers and kitchen professionals. We very consciously choose high-quality materials and techniques, and go the extra mile to fulfill our customers' wishes. Of course, we also pay attention to sustainability, through energy efficiency and by choosing recyclable materials and packaging wherever possible.

GET
INSPIRED

INDEX

- | | | | |
|-----|-------------------------------|------|-----------------|
| 2. | DUTCH QUALITY FOR THE KITCHEN | 66. | MISCELLANEOUS |
| 12. | PRODUCT RANGE OVERVIEW | 70. | COLORADO |
| 22. | NEW YORK | 72. | COLORADO COATED |
| 30. | NEW YORK PVD | 74. | L18 |
| 34. | NEW YORK COATED | 78. | L18 COATED |
| 36. | NEW JERSEY | 80. | MISCELLANEOUS |
| 38. | FLORIDA | 84. | OTTAWA |
| 40. | TEXAS | 86. | R18 |
| 42. | MIAMI | 90. | CLEAN & CARE |
| 46. | OHIO | 100. | AQUA LINE |
| 50. | OHIO COATED | 102. | REGI-GRANITE |
| 56. | KANSAS | 112. | REGI-CERAMIC |
| 58. | IB | 116. | KITCHEN TAPS |
| 60. | HOUSTON | 126. | PANAMA |
| 62. | CENTURIO | 128. | ACCESSORIES |



**IN-HOUSE
PRODUCTION**

DUTCH DESIGN

Reliable, Responsible & Innovative

Reginox is located in Rijssen, in the Eastern part of the Netherlands. It is where we develop and produce all our stainless steel sinks. Reginox knows the value of design and knows how to make the most beautiful designs from stainless steel.

Reginox sinks are straightforward and simple to install ensuring a sleek, modern finish no matter which installation method you choose.

Integrated sinks



Our integrated sinks can be installed in 3 ways: inset, semi-integrated (flush with the worktop) or undermount. All of our integrated sinks look stunning no matter the choice of installation, in any worktop with the exception of laminate.

Inset sinks



Our inset sinks can be installed quickly and easily bringing an effective finish to any kitchen. To install these the fitter will turn the sink upside down, draw around the complete sink edge and cut 10 mm in from this template. All our sinks are provided with necessary clips and must be sealed with silicone sealant for a water tight finish.



Cabinet size

Due to specific cabinet sizes some sinks may not be suitable for your kitchen. At Reginox we supply a wide range sinks, each design in various sizes to fit every cabinet size, these vary from 40 cm to 100 cm. The cabinet size is the available space underneath the worktop required for the bowl and other fixings only.

Technical information

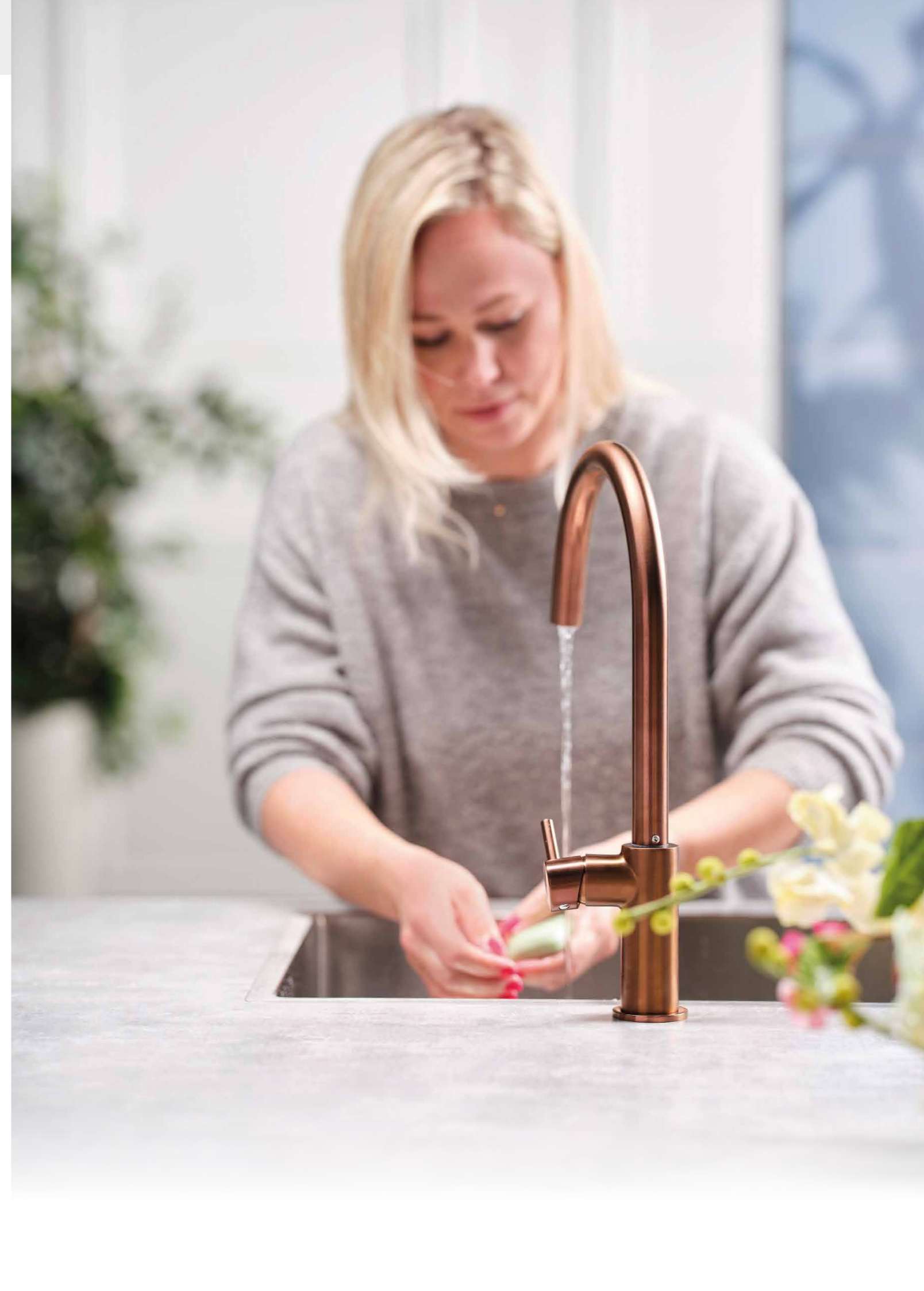
At Reginox we can supply technical drawings for all our sinks and clear fitting instructions. We can also supply routing jigs to size or the necessary software for CNC milling machines.

Maintenance tips

- Clean the sinks with hot soapy water for everyday maintenance.
- Regular use of Inox Care to maintain your stainless sink or stainless steel worktop. Rub this in using a microfibre cloth and buff out using a new, lean cloth once a week.
- No abrasive cleaners or sponges should be used on the sinks to avoid any visible stains, scratches or marks.

Liability

Reginox is not liable for damage during installation or due to incorrect maintenance.









High quality and
innovative sinks
















INTEGRATED / SEMI-INTEGRATED / UNDERMOUNT





















400 MM

NEW YORK 18X40 PAGE 24 	TEXAS 18X40 PAGE 41 	TEXAS 30X40 PAGE 41 	OHIO 18X40 PAGE 47 	OHIO 18X40 JET BLACK PAGE 53 
IB 1840 PAGE 59 				
























450 MM

NEW YORK 34X40 PAGE 24 	HOUSTON 34X40 PAGE 61 	COLORADO COMFORT PAGE 71 	COLORADO COMFORT L OKG JET BLACK PAGE 73 	L18 370 OKG PAGE 75 
L18 390 OKG PAGE 75 	L18 390 COMFORT PAGE 75 	L18 390 OSK PAGE 76 	L18 3440 OKG PAGE 76 	L18 4035 OKG PAGE 76 
L18 4035 OKG WOKZ PAGE 76 	L18 4035 OSK PAGE 77 	L18 390 OKG JET BLACK PAGE 79 		














500 MM

NEW YORK 40X40 PAGE 24 	NEW YORK 40X40 OKG PAGE 29 	NEW YORK 40X40 COPPER ROSE PAGE 32 	NEW YORK 40X40 GOLD FLAX PAGE 32 	NEW YORK 40X40 GUN METAL SILVER PAGE 32 
NEW YORK 40X40 JET BLACK PAGE 35 	NEW JERSEY 40X37 PAGE 37 	FLORIDA 40X40 PAGE 39 	TEXAS 40X40 PAGE 41 	MIAMI 40X40 COPPER PAGE 44 
MIAMI 40X40 GOLD PAGE 44 	MIAMI 40X40 GUN METAL PAGE 44 	OHIO 40X40 PAGE 47 	OHIO 40X40 JET BLACK PAGE 53 	OHIO 40X40 MIDNIGHT SKY PAGE 53 
KANSAS 40X40 PAGE 57 	IB 4040 PAGE 59 	HOUSTON 40X40 PAGE 61 		

600 MM

NEW YORK 45X40 PAGE 24 	NEW YORK 50X40 PAGE 25 	NEW YORK 18X40+34X40 PAGE 25 	NEW YORK 34X40+18X40 PAGE 25 	NEW YORK 50X40 OKG PAGE 29 
NEW YORK 50X40 COPPER ROSE PAGE 32 	NEW YORK 50X40 GOLD FLAX PAGE 33 	NEW YORK 50X40 GUN METAL SILVER PAGE 33 	NEW YORK 50X40 JET BLACK PAGE 35 	NEW JERSEY 50X37 PAGE 37 
NEW JERSEY 18X37+34X37 PAGE 37 	NEW JERSEY 34X37+18X37 PAGE 37 	FLORIDA 50X40 PAGE 39 	TEXAS 50X40 PAGE 41 	MIAMI 50X40 COPPER PAGE 45 
MIAMI 50X40 GOLD PAGE 45 	MIAMI 50X40 GUN METAL PAGE 45 	OHIO 50X40 PAGE 47 	OHIO 50X40 JET BLACK PAGE 53 	OHIO 50X40 MIDNIGHT SKY PAGE 54 
KANSAS 50X40 PAGE 57 	IB 5040 PAGE 59 	HOUSTON 50X40 PAGE 61 		

800 MM

NEW YORK 18X40+40X40 PAGE 25 	NEW YORK 40X40+18X40 PAGE 26 	NEW YORK 18X40+50X40 PAGE 27 	NEW YORK 50X40+18X40 PAGE 28 	NEW YORK 34X40+34X40 PAGE 28 
NEW YORK 72X40 OKG PAGE 29 	NEW YORK 72X40 JET BLACK PAGE 35 	OHIO 40X40+18X40 PAGE 48 	OHIO 18X40+50X40 PAGE 48 	OHIO 50X40+18X40 PAGE 48 
HALIFAX PAGE 67 	PRINCESS 80 PAGE 68 	L18 35D40 KGOKG PAGE 77 		

INTEGRATED / SEMI-INTEGRATED / UNDERMOUNT



900 MM

NEW YORK 40X40+40X40
PAGE 28



OHIO 80X42
PAGE 47



OHIO 40X40+40X40
PAGE 48



OHIO 80X42 JET BLACK
PAGE 54



INSET



400 MM

R18 2330 OSK
PAGE 87



R18 3530 OSK
PAGE 87



INTEGRATED / SEMI-INTEGRATED



500 MM

OHIO 40X40
TAPWING PAGE 49



OHIO 40X40 JET BLACK
TAPWING PAGE 54



ADMIRAL L40
PAGE 67



450 MM

BETA 10 BAP
PAGE 81



COLORADO COMFORT R
PAGE 81



MOSCOW 0KG
PAGE 82



REGIDRAIN
PAGE 82



REX 10
PAGE 82



R18 370 OSP
PAGE 87



R18 390 OSK
PAGE 88



R18 390 COMFORT
PAGE 88



R18 370 OKG
PAGE 88



R18 4035 OKG
PAGE 88



600 MM

NEW YORK 50X40
TAPWING PAGE 29



OHIO 50X40
TAPWING PAGE 49



OHIO 50X40 JET BLACK
TAPWING PAGE 54



CENTURIO L10 2X
PAGE 64



CENTURIO L10
LEFT PAGE 64



CENTURIO 10
PAGE 64



CENTURIO L10
RIGHT PAGE 64



CENTURIO L1,5
PAGE 65



CENTURIO L1,5
PAGE 65



QUEEN L60
PAGE 67



ADMIRAL L60
PAGE 67



BOSTON L
PAGE 68



500 MM

DIPLOMAT 10 ECO
PAGE 80



CENTURIO R10
PAGE 83



800 MM

CENTURIO 20
PAGE 65



CENTURIO 30
PAGE 65



600 MM

DIPLOMAT 1,5 ECO
PAGE 80



MINISTER 10
PAGE 82



OTTAWA OSP WALL MOUNT SET
PAGE 85



INSET



DIPLOMAT 30 ECO
PAGE 80

BETA 30 BAP
PAGE 81

JUMBO
PAGE 83

CLEAN & CARE

L18 4035 VP-CC 10 CM DEEP (304) PAGE 97

MOSCOW KG-CC (304) PAGE 97

NEW YORK 34X40 KG-CC (304) PAGE 98

ADMIRAL 40 KG-CC (304) PAGE 91

IB 4040-CC (316) PAGE 94

KANSAS 40X40 CC (304) PAGE 94

NEW JERSEY 40X37 KG-CC 10 CM DEEP (304) PAGE 98

NEW YORK 40X40 KG-CC (304) PAGE 99

UNDERMOUNT



ALASKA LEFT
PAGE 68

ALASKA RIGHT
PAGE 68

BOSTON KG-CC (304) PAGE 92

CENTURIO L10-CC (304) PAGE 93

IB 5040-CC (316) PAGE 94

KANSAS 50X40 CC (304) PAGE 94

MORENA KGKG (304) PAGE 97

NEW JERSEY 50X37 KG-CC 10 CM DEEP (304) PAGE 98

NEW JERSEY 34X37+18X37 KGKG-CC 10 CM DEEP (304) PAGE 98

NEW YORK 50X40 KG-CC (304) PAGE 99

CLEAN & CARE

RIO CC (304) PAGE 99

IB 1840-CC (304) PAGE 93

CARIBBEAN CC (304) PAGE 93

L18 3016 KG (304) PAGE 95

BETA 30 KG-CC (304) PAGE 92

L18 35D40 KGKG-CC (304) PAGE 96

L18 35D40 VPVP-CC (304) PAGE 96

NEW YORK 72X40 KG-CC (304) PAGE 99

ATLANTIS L SP-CC (304) PAGE 92

ATLANTIS SP-CC (316) PAGE 92

COLORADO KG-CC (304) PAGE 93

L18 390 KG-CC (304) PAGE 95

L18 390 VP-CC (304) PAGE 95

L18 390 VP-CC (304) 10 CM DEEP PAGE 95

L18 4035 KG-CC (304) PAGE 96

L18 4035 VP-CC (304) PAGE 96

L18 4035 SK 10 CM (304) PAGE 97

AQUA LINE

RIO PAGE 101

CARIBBEAN PAGE 101

AMAZONE PAGE 101

ATLANTIS PAGE 101

REGI-GRANITE Inset / Undermount



500 MM

AMSTERDAM 40 BLACK SILVERY PAGE 105	AMSTERDAM 40 CAFFE SILVERY PAGE 105	AMSTERDAM 40 GREY SILVERY PAGE 105	AMSTERDAM 40 PURE WHITE PAGE 105	AMSTERDAM 40 PURE BLACK PAGE 105
--	--	---	---	---

600 MM

AMSTERDAM 50 BLACK SILVERY PAGE 106	AMSTERDAM 50 CAFFE SILVERY PAGE 106	AMSTERDAM 50 GREY SILVERY PAGE 106	AMSTERDAM 50 PURE WHITE PAGE 106	AMSTERDAM 50 PURE BLACK PAGE 106
--	--	---	---	---

800 MM

AMSTERDAM 72 BLACK SILVERY PAGE 107	AMSTERDAM 72 CAFFE SILVERY PAGE 107	AMSTERDAM 72 GREY SILVERY PAGE 107	AMSTERDAM 72 PURE WHITE PAGE 107	AMSTERDAM 72 PURE BLACK PAGE 107
--	--	---	---	---

900 MM

AMSTERDAM 20 BLACK SILVERY PAGE 104	AMSTERDAM 20 CAFFE SILVERY PAGE 104	AMSTERDAM 20 GREY SILVERY PAGE 104	AMSTERDAM 20 PURE WHITE PAGE 104
BREDA 20 BLACK SILVERY PAGE 108	BREDA 20 CAFFE SILVERY PAGE 108	BREDA 20 GREY SILVERY PAGE 108	BREDA 20 PURE WHITE PAGE 108

REGI-GRANITE Inset



450 MM

AMSTERDAM 34 BLACK SILVERY PAGE 105	AMSTERDAM 34 CAFFE SILVERY PAGE 105	AMSTERDAM 34 GREY SILVERY PAGE 105	AMSTERDAM 34 PURE WHITE PAGE 105
--	--	---	---

600 MM

AMSTERDAM 10 BLACK SILVERY PAGE 104	AMSTERDAM 10 CAFFE SILVERY PAGE 104	AMSTERDAM 10 GREY SILVERY PAGE 104	AMSTERDAM 10 PURE WHITE PAGE 104
--	--	---	---

REGI-GRANITE Inset



600 MM

AMSTERDAM 43 BLACK SILVERY PAGE 106	AMSTERDAM 43 CAFFE SILVERY PAGE 106	AMSTERDAM 43 GREY SILVERY PAGE 106	AMSTERDAM 43 PURE WHITE PAGE 106
--	--	---	---

AMSTERDAM 54 BLACK SILVERY TAPWING PAGE 106	AMSTERDAM 54 CAFFE SILVERY TAPWING PAGE 106	AMSTERDAM 54 GREY SILVERY TAPWING PAGE 106	AMSTERDAM 54 PURE WHITE TAPWING PAGE 106
--	--	---	---

AMSTERDAM 78 BLACK SILVERY PAGE 107	AMSTERDAM 78 CAFFE SILVERY PAGE 107	AMSTERDAM 78 GREY SILVERY PAGE 107	AMSTERDAM 78 PURE WHITE PAGE 107
--	--	---	---

AMSTERDAM 540 BLACK SILVERY PAGE 107	AMSTERDAM 540 CAFFE SILVERY PAGE 107	AMSTERDAM 540 GREY SILVERY PAGE 107	AMSTERDAM 540 PURE WHITE PAGE 107
---	---	--	--

BREDA 10 BLACK SILVERY LEFT PAGE 108	BREDA 10 CAFFE SILVERY LEFT PAGE 108	BREDA 10 GREY SILVERY LEFT PAGE 108	BREDA 10 PURE WHITE LEFT PAGE 108
---	---	--	--

BREDA 10 BLACK SILVERY RIGHT PAGE 108	BREDA 10 CAFFE SILVERY RIGHT PAGE 108	BREDA 10 GREY SILVERY RIGHT PAGE 108	BREDA 10 PURE WHITE RIGHT PAGE 108
--	--	---	---

HARLEM 10 BLACK SILVERY PAGE 109	HARLEM 10 CAFFE SILVERY PAGE 109	HARLEM 10 GREY SILVERY PAGE 109	HARLEM 10 PURE WHITE PAGE 109
---	---	--	--

HARLEM 15 BLACK SILVERY PAGE 109	HARLEM 15 CAFFE SILVERY PAGE 109	HARLEM 15 GREY SILVERY PAGE 109	HARLEM 15 PURE WHITE PAGE 109
---	---	--	--

REGI-GRANITE Inset



800 MM

AMSTERDAM 15

BLACK SILVERY
PAGE 104



AMSTERDAM 15

CAFFE SILVERY
PAGE 104



AMSTERDAM 15

GREY SILVERY
PAGE 104



AMSTERDAM 15

PURE WHITE
PAGE 104



900 MM

AMSTERDAM 25

BLACK SILVERY
PAGE 105



AMSTERDAM 25

CAFFE SILVERY
PAGE 105



AMSTERDAM 25

GREY SILVERY
PAGE 105



AMSTERDAM 25

PURE WHITE
PAGE 105



BREDA 30

BLACK SILVERY
PAGE 109



BREDA 30

CAFFE SILVERY
PAGE 109



BREDA 30

GREY SILVERY
PAGE 109



BREDA 30

PURE WHITE
PAGE 109



REGI-GRANITE Integrated



500 MM

TEXEL 40

PURE BLACK
PAGE 110



TEXEL 40

BLACK SILVERY
PAGE 110



600 MM

TEXEL 50

PURE BLACK
PAGE 111



TEXEL 50

BLACK SILVERY
PAGE 111



REGI-CERAMIC

600 MM

RL301 CW

PAGE 113



RL304 CW

PAGE 113



RL504 CW

PAGE 114



BELFAST

PAGE 114



MATARO

PAGE 114





Luxury and comfort

You will see these characteristics in the New York range by Reginox. These sinks have a sleek and modern design, they are deep-drawn without welding or folded seams. The new comfort plug waste outlet also means there is less chance of leaks and bacteria build up, as well as adding to the sleek appearance of the whole sink.

- 10 mm radius
- Comfort plug

NEW YORK SINKS HAVE A 10 MM INTERNAL AND EXTERNAL RADIUS



STYLISH AS NEW YORK

SOME PEOPLE SEE NEW YORK AS ONE OF THE MOST VIBRANT AND MOST EXCITING CITIES IN THE WORLD. IT LEADS THE WAY WITH ITS STYLE, DESIGN AND TRENDS.

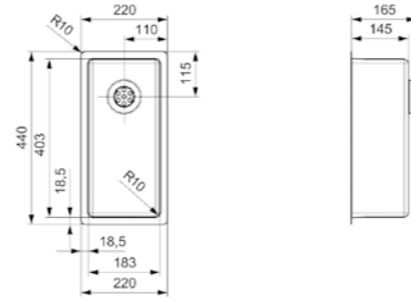




NEW YORK

18 X 40

Cabinet size 400 mm
 Depth 145 mm
 Sink unit dimensions 183 x 403 mm
 Total dimensions 220 x 440 mm



Article number
R27851

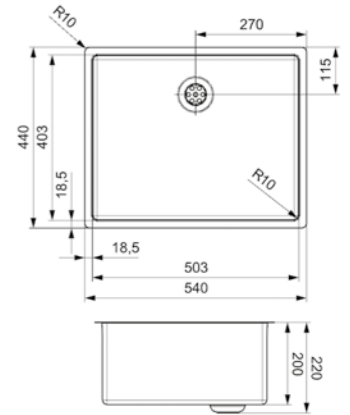
Comfort plug | 10 mm radius
 PopUp R35085 available separately



NEW YORK

50 X 40

Cabinet size 600 mm
 Depth 200 mm
 Sink unit dimensions 503 x 403 mm
 Total dimensions 540 x 440 mm



Article number
R27646

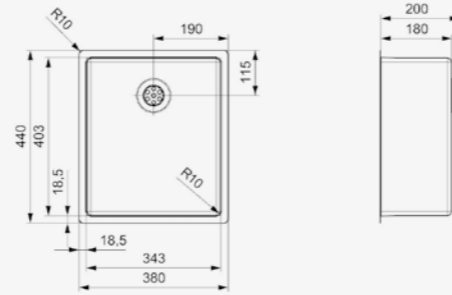
Comfort plug | 10 mm radius
 PopUp R35085 available separately



NEW YORK

34 X 40

Cabinet size 450 mm
 Depth 180 mm
 Sink unit dimensions 343 x 403 mm
 Total dimensions 380 x 440 mm



Article number
R27820

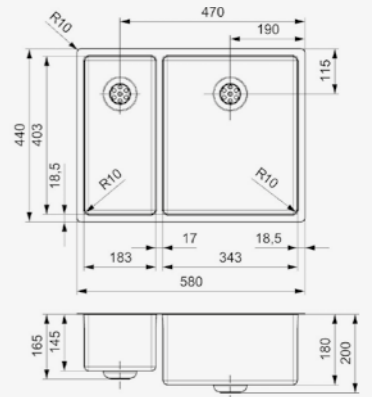
Comfort plug | 10 mm radius
 PopUp R35085 available separately



NEW YORK

18 X 40 + 34 X 40

Cabinet size 600 mm
 Depth 145 + 180 mm
 Sink unit dimensions 183 x 403 + 343 x 403 mm
 Total dimensions 580 x 440 mm



Article number
R27844

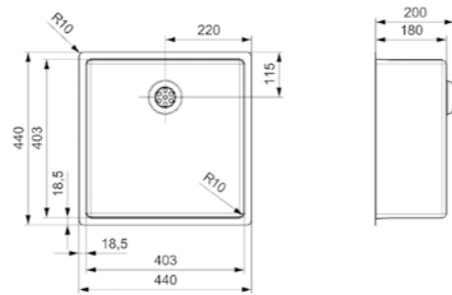
Comfort plug | 10 mm radius
 PopUp R35085 available separately



NEW YORK

40 X 40

Cabinet size 500 mm
 Depth 180 mm
 Sink unit dimensions 403 x 403 mm
 Total dimensions 440 x 440 mm



Article number
R27639

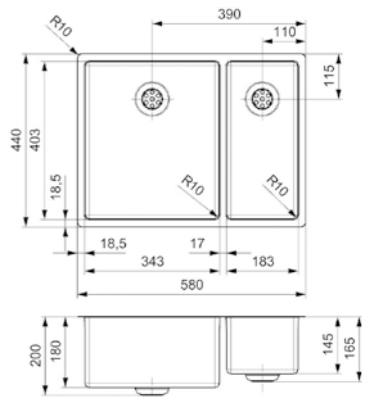
Comfort plug | 10 mm radius
 PopUp R35085 available separately



NEW YORK

34 X 40 + 18 X 40

Cabinet size 600 mm
 Depth 180 + 145 mm
 Sink unit dimensions 343 x 403 + 183 x 403 mm
 Total dimensions 580 x 440 mm



Article number
R27806

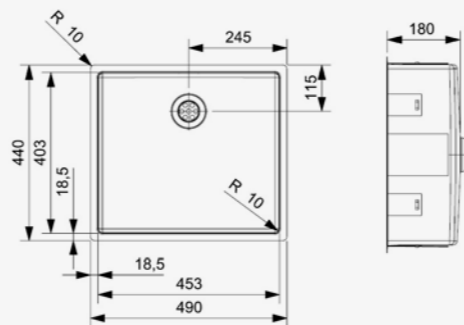
Comfort plug | 10 mm radius
 PopUp R35085 available separately



NEW YORK

45 X 40

Cabinet size 600 mm
 Depth 180 mm
 Sink unit dimensions 453 x 403 mm
 Total dimensions 490 x 440 mm



Article number
R35528

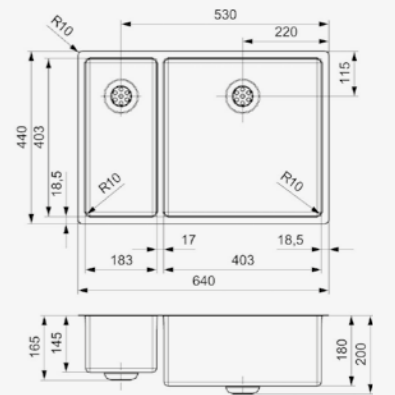
Comfort plug | 10 mm radius
 PopUp R35085 available separately



NEW YORK

18 X 40 + 40 X 40

Cabinet size 800 mm
 Depth 145 + 180 mm
 Sink unit dimensions 183 x 403 + 403 x 403 mm
 Total dimensions 640 x 440 mm



Article number
R27868

Comfort plug | 10 mm radius
 PopUp R35085 available separately

Without welding
or folded **seams**

NEW YORK



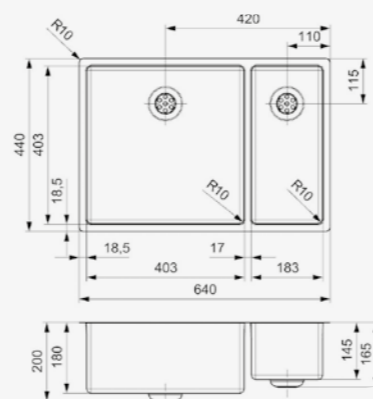
NEW YORK
40X40+18X40

Cabinet size 800 mm
Depth 180 + 145 mm
Sink unit dimensions 403 x 403 + 183 x 403 mm
Total dimensions 640 x 440 mm



Comfort plug | 10 mm radius
Popup R35085 available separately

Article number
R27813



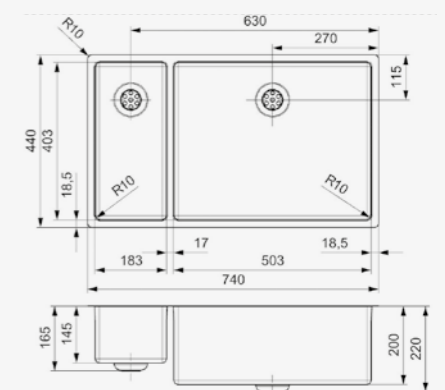
NEW YORK
18X40+50X40

Cabinet size 800 mm
Depth 145 + 200 mm
Sink unit dimensions 183 x 403 + 503 x 403 mm
Total dimensions 740 x 440 mm



Comfort plug | 10 mm radius
Popup R35085 available separately

Article number
R27790





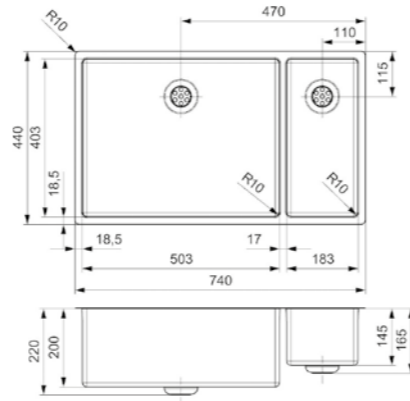
NEW YORK

50X40+18X40
 Cabinet size 800 mm
 Depth 200 + 145 mm
 Sink unit dimensions 503 x 403 + 183 x 403 mm
 Total dimensions 740 x 440 mm



Comfort plug | 10 mm radius
 Popup R35085 available separately

Article number
R27837



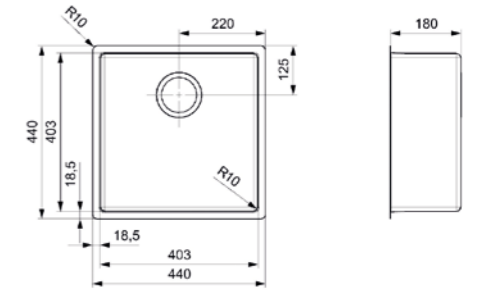
NEW YORK

40X40 OKG
 Cabinet size 500 mm
 Depth 180 mm
 Sink unit dimensions 403 x 403 mm
 Total dimensions 440 x 440 mm



10 mm radius | Standard drain hole 3.5"
 Popup R35078 available separately

Article number
R28124



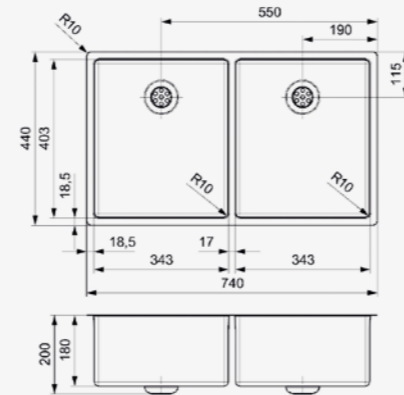
NEW YORK

34X40+34X40
 Cabinet size 800 mm
 Depth 180 + 180 mm
 Sink unit dimensions 343 x 403 + 343 x 403 mm
 Total dimensions 740 x 440 mm



Comfort plug | 10 mm radius
 Popup R35085 available separately

Article number
R28223



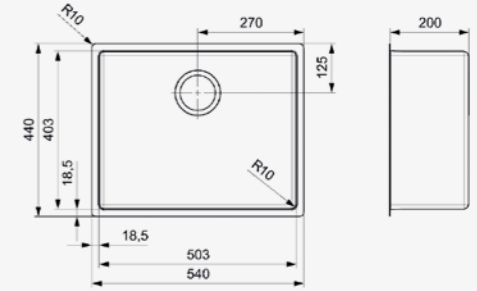
NEW YORK

50X40 OKG
 Cabinet size 600 mm
 Depth 200 mm
 Sink unit dimensions 503 x 403 mm
 Total dimensions 540 x 440 mm



10 mm radius | Standard drain hole 3.5"
 Popup R35078 available separately

Article number
R28131



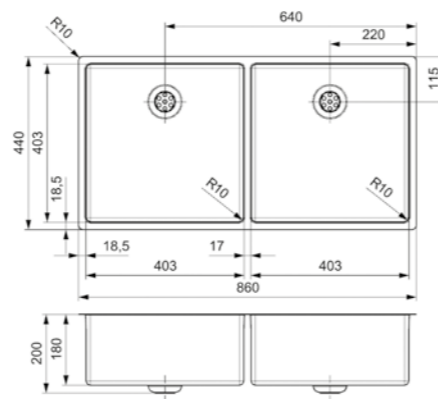
NEW YORK

40X40+40X40
 Cabinet size 900 mm
 Depth 180 + 180 mm
 Sink unit dimensions 403 x 403 + 403 x 403 mm
 Total dimensions 860 x 440 mm



Comfort plug | 10 mm radius
 Popup R35085 available separately

Article number
R28254



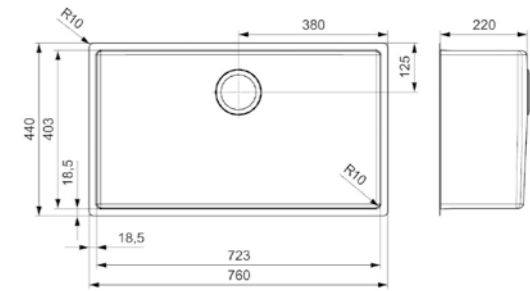
NEW YORK

72X40 OKG
 Cabinet size 800 mm
 Depth 220 mm
 Sink unit dimensions 723 x 403 mm
 Total dimensions 760 x 440 mm



10 mm radius | Standard drain hole 3.5"
 Popup R35078 available separately

Article number
R31377



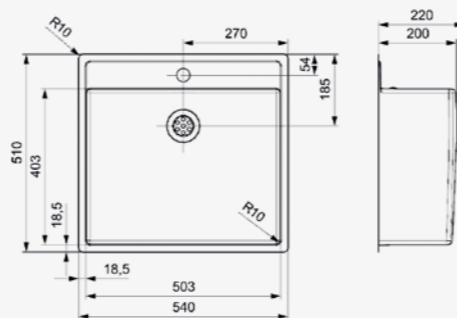
NEW YORK 50X40 TAPWING

Cabinet size 600 mm
 Depth 200 mm
 Sink unit dimensions 503 x 403 mm
 Total dimensions 540 x 510 mm



Comfort plug | 10 mm radius
 Popup R35085 available separately

Article number
R34774



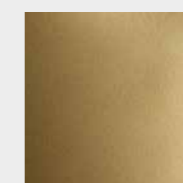


Brand new colours

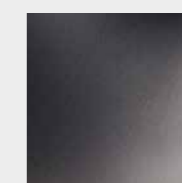
Go for our New York 40x40 or 50x40 in Gun Metal Silver, Copper Rose or Gold Flax and complete your kitchen. These New York sinks retain their usual quality and comfort, and feature the same sleek design thanks to our deep-drawing technology and high-grade stainless steel. On top of that, they don't have any welding or folding seams, and the overflow and comfort plug have a matching colour. Thanks to the beautiful colours and the aesthetically pleasing design, these sinks offer the best of both worlds! The New York PVD sinks are excellently suitable for combination with the PVD taps Leon and Levisa.



COPPER ROSE



GOLD FLAX



GUN METAL SILVER

COLOURFUL NEW YORK

OUR NEW YORK SINKS ARE ALSO AVAILABLE IN COLOUR!
THE FAMILIAR NEW YORK SERIES HAS BEEN EXPANDED WITH THREE
DIFFERENT COLOURS, MADE POSSIBLE BY PVD TECHNOLOGY.



• 10-mm radius
• Overflow and comfort plug have matching colours

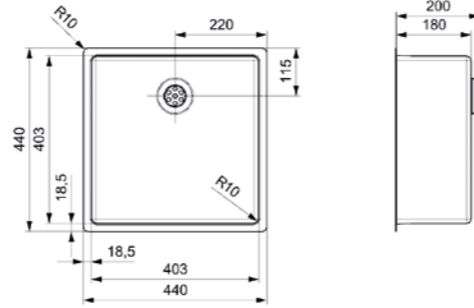
Colour deviation per item is possible



NEW YORK

40X40 COPPER ROSE

Cabinet size 500 mm
 Depth 180 mm
 Sink unit dimensions 403 x 403 mm
 Total dimensions 440 x 440 mm



Article number
R35122

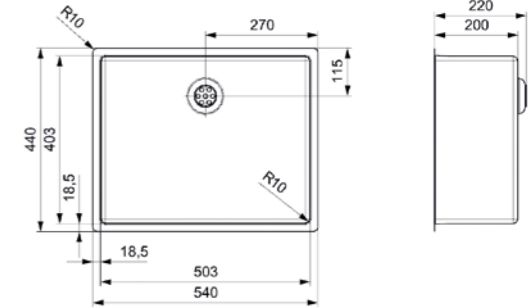
Comfort plug | 10 mm radius
 Popup R35696 available separately | PVD technic



NEW YORK

50X40 GOLD FLAX

Cabinet size 600 mm
 Depth 200 mm
 Sink unit dimensions 503 x 403 mm
 Total dimensions 540 x 440 mm



Article number
R35160

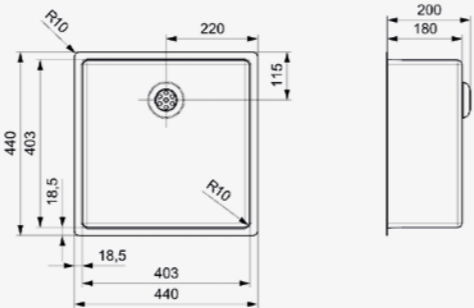
Comfort plug | 10 mm radius
 Popup R35702 available separately | PVD technic



NEW YORK

40X40 GOLD FLAX

Cabinet size 500 mm
 Depth 180 mm
 Sink unit dimensions 403 x 403 mm
 Total dimensions 440 x 440 mm



Article number
R35139

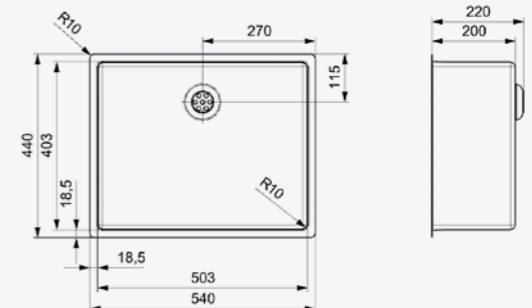
Comfort plug | 10 mm radius
 Popup R35702 available separately | PVD technic



NEW YORK

50X40 GUN METAL SILVER

Cabinet size 600 mm
 Depth 200 mm
 Sink unit dimensions 503 x 403 mm
 Total dimensions 540 x 440 mm



Article number
R35146

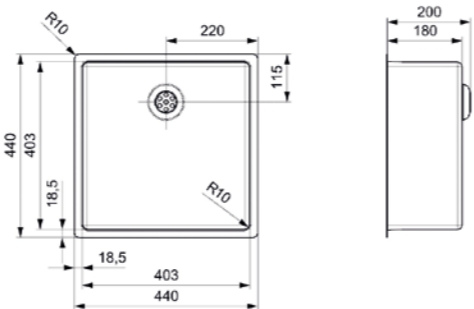
Comfort plug | 10 mm radius
 Popup R35689 available separately | PVD technic



NEW YORK

40X40 GUN METAL SILVER

Cabinet size 500 mm
 Depth 180 mm
 Sink unit dimensions 403 x 403 mm
 Total dimensions 440 x 440 mm



Article number
R35115

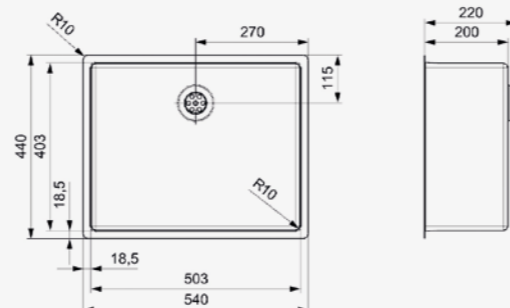
Comfort plug | 10 mm radius
 Popup R35689 available separately | PVD technic



NEW YORK

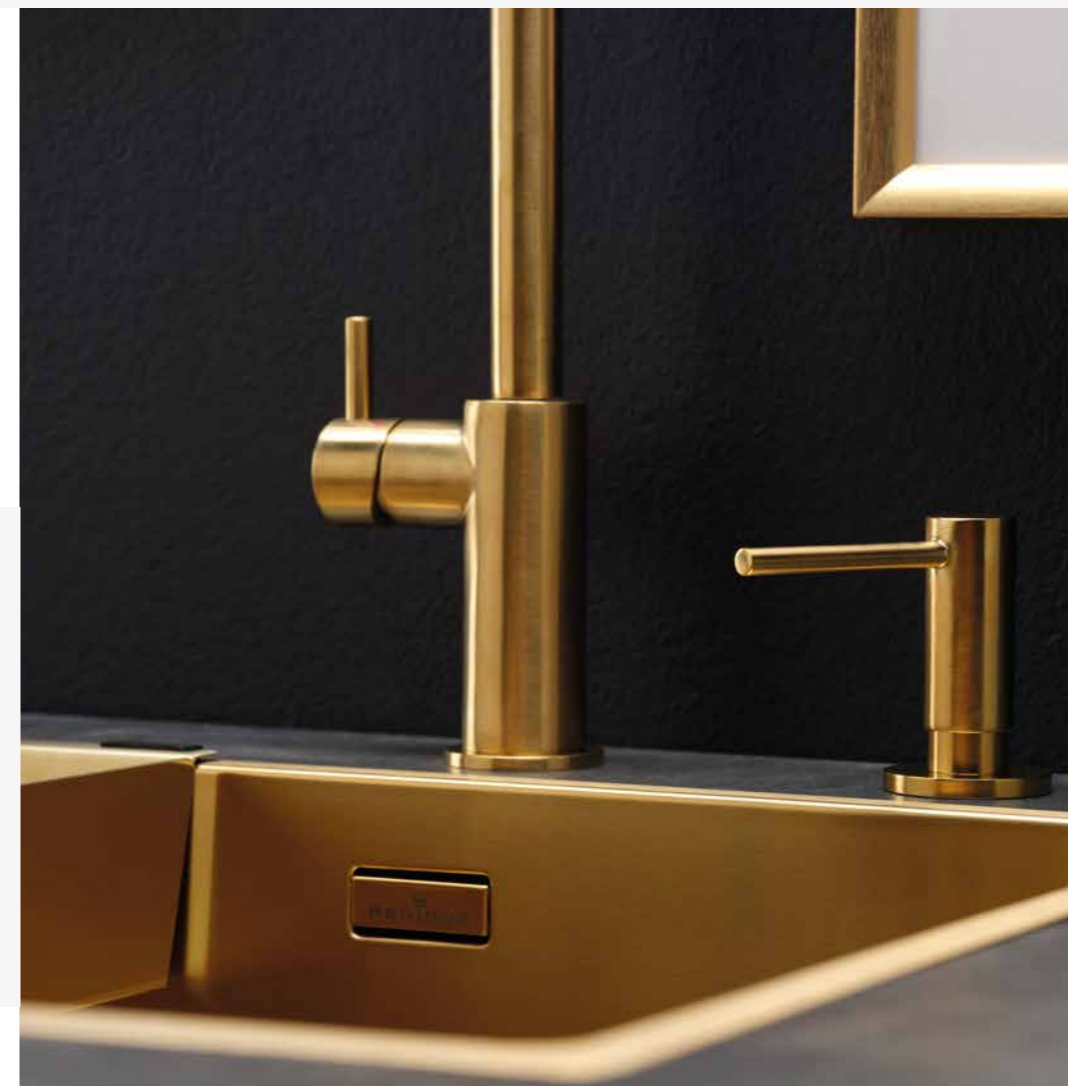
50X40 COPPER ROSE

Cabinet size 600 mm
 Depth 200 mm
 Sink unit dimensions 503 x 403 mm
 Total dimensions 540 x 440 mm



Article number
R35153

Comfort plug | 10 mm radius
 Popup R35696 available separately | PVD technic



Brings
 colour to the
kitchen



MODERN
DESIGN



NEW YORK JET BLACK

STYLISH BLACK

THE STYLISH AND LUXURIOUS REGINOX NEW YORK SINKS ARE AVAILABLE IN BLACK! THESE DESIGNER SINKS HAVE A SUPERSLEEK AND MODERN DESIGN, AND ARE DEEP-DRAWN WITHOUT ANY WELDING OR FOLDED SEAMS.

The Jet Black range is fully finished in a deep black colour, including the comfort plug and overflow. With an inner- and bottom radius of 10 mm this Jet Black range will fit easily in every kitchen. The New York Jet Black sinks are ideal for a combination with one of the black kitchen taps of Reginox.



NEW YORK

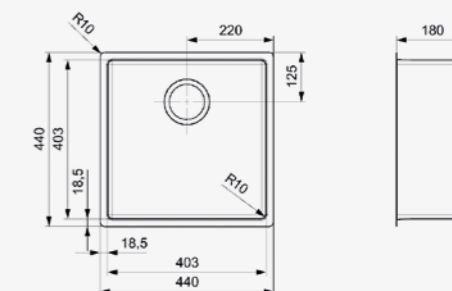
40X40 JET BLACK

Cabinet size	500 mm
Depth	180 mm
Sink unit dimensions	403 x 403 mm
Total dimensions	440 x 440 mm



Stainless steel sink with coating

Article number
R34255



NEW YORK

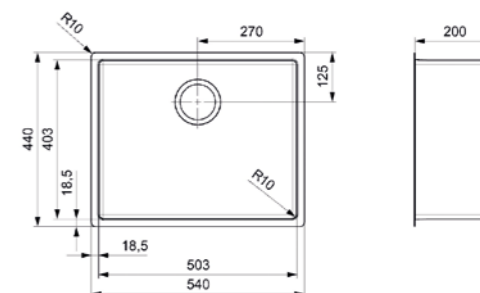
50X40 JET BLACK

Cabinet size	600 mm
Depth	200 mm
Sink unit dimensions	503 x 403 mm
Total dimensions	540 x 440 mm



Stainless steel sink with coating

Article number
R34262



NEW YORK

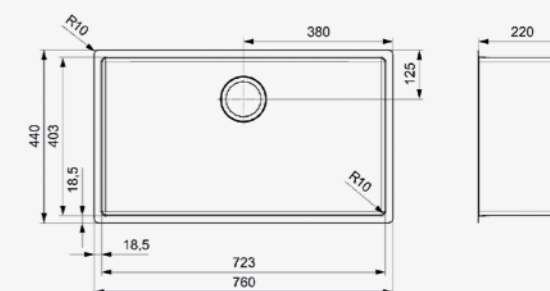
72X40 JET BLACK

Cabinet size	800 mm
Depth	220 mm
Sink unit dimensions	723 x 403 mm
Total dimensions	760 x 440 mm



Stainless steel sink with coating

Article number
R34996





HORIZONTAL
DEPTH
37 CM

NEW JERSEY

JUST AS NEW JERSEY IS THE GEOGRAPHICAL EXTENSION OF GLOBAL CITY NEW YORK, THE NEW JERSEY LINE IS AN EXTENSION OF OUR BEST SELLER: THE NEW YORK SINK.



The New Jersey is also a very modern design sink with an internal and external radius of 10 mm and a deep-drawn plug. The difference lies in the slightly smaller horizontal depth (37 cm instead of 40 cm). This means the New Jersey makes it even easier to fit taps in worktops of 60 cm deep.



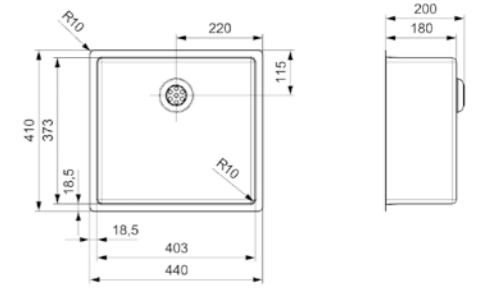
NEW JERSEY

40X37
Cabinet size 500 mm
Depth 180 mm
Sink unit dimensions 403 x 373 mm
Total dimensions 440 x 410 mm



Article number
R32985

Comfort plug | 10 mm radius
Popup R35085 available separately



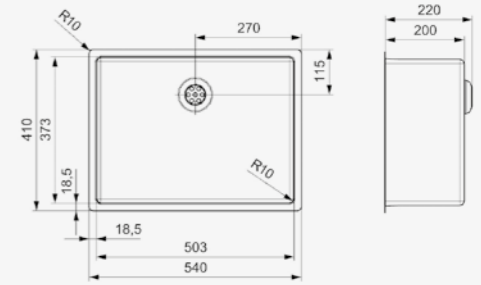
NEW JERSEY

50X37
Cabinet size 600 mm
Depth 200 mm
Sink unit dimensions 503 x 373 mm
Total dimensions 540 x 410 mm



Article number
R32992

Comfort plug | 10 mm radius
Popup R35085 available separately



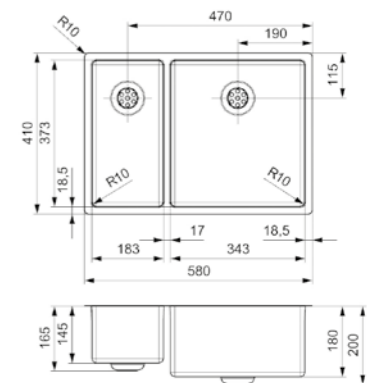
NEW JERSEY

18X37+34X37
Cabinet size 600 mm
Depth 145 + 180 mm
Sink unit dimensions 183 x 373 + 343 x 373 mm
Total dimensions 580 x 410 mm



Article number
R33005

Comfort plug | 10 mm radius
Popup R35085 available separately



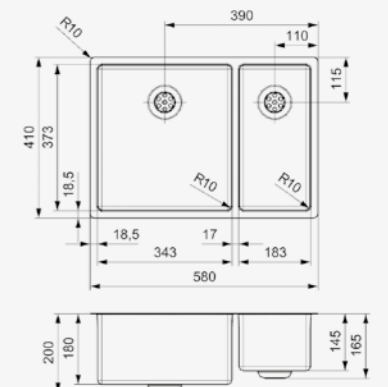
NEW JERSEY

34X37+18X37
Cabinet size 600 mm
Depth 180 + 145 mm
Sink unit dimensions 343 x 373 + 183 x 373 mm
Total dimensions 580 x 410 mm



Article number
R33012

Comfort plug | 10 mm radius
Popup R35085 available separately



WHERE
COMFORT
MEETS
STYLE

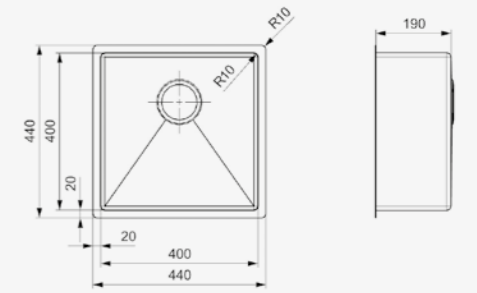


Florida means comfort without frills. Enjoying the good things in life in a relaxed way. You'll recognize that flair in the Florida sink from Reginox. Its elegant design makes it a stylish addition to any kitchen. With a depth of 190 mm, the Florida is also very practical in use.



FLORIDA

40X40
Cabinet size 500 mm
Depth 190 mm
Sink unit dimensions 400 x 400 mm
Total dimensions 440 x 440 mm



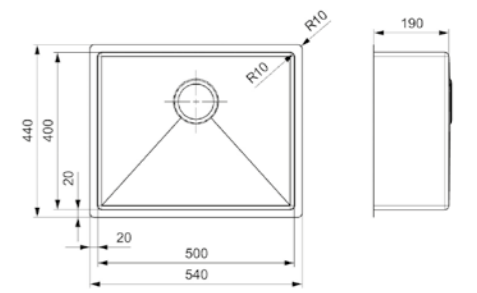
Article number
R26274

Elegant and sleek design
Practical depth of 190 mm



FLORIDA

50X40
Cabinet size 600 mm
Depth 190 mm
Sink unit dimensions 500 x 400 mm
Total dimensions 540 x 440 mm



Article number
R26281

Elegant and sleek design
Practical depth of 190 mm





THE LUXURIOUS LOOK OF TEXAS

THE TEXAS RANGE IS ONE OF OUR MOST LUXURIOUS RANGES.
WITH A SQUARE STRAINER, SUBTLE OVERFLOW AND SATIN FINISH THIS
RANGE IS PERFECT FOR ANY MODERN KITCHEN.



The overall sleekness of the Texas range is accentuated by the small 10 mm radiuses both vertically and horizontally making this a hygienic, easy to clean sink. The sink is suitable for undermount, integrated and semi-integrated installation.



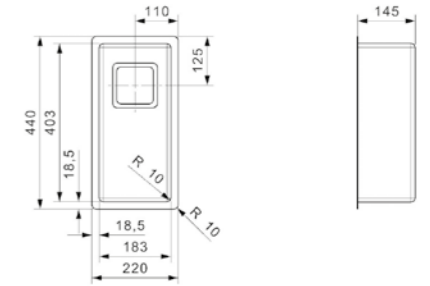
Article number
R28001

TEXAS

18X40
Cabinet size 400 mm
Depth 145 mm
Sink unit dimensions 183 x 403 mm
Total dimensions 220 x 440 mm



Popup R22320 available separately



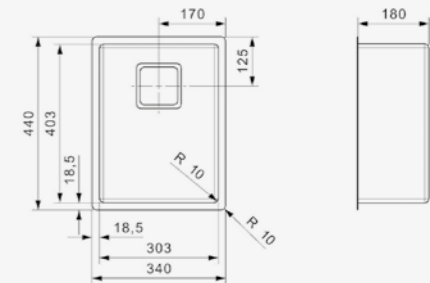
Article number
R28018

TEXAS

30X40
Cabinet size 400 mm
Depth 180 mm
Sink unit dimensions 303 x 403 mm
Total dimensions 340 x 440 mm



Popup R22320 available separately



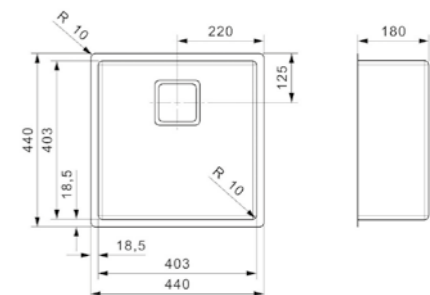
Article number
R28025

TEXAS

40X40
Cabinet size 500 mm
Depth 180 mm
Sink unit dimensions 403 x 403 mm
Total dimensions 440 x 440 mm



Popup R22320 available separately



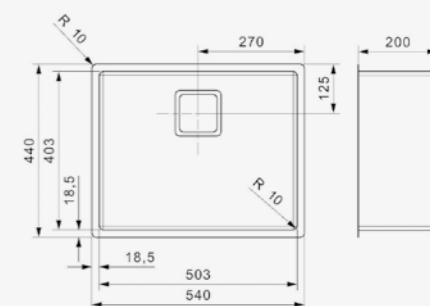
Article number
R28032

TEXAS

50X40
Cabinet size 600 mm
Depth 200 mm
Sink unit dimensions 503 x 403 mm
Total dimensions 540 x 440 mm



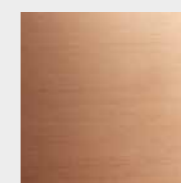
Popup R22320 available separately





The Miami line contains sinks and taps with a stylish design, available in three unique colours: Gun Metal, Copper and Gold. We have created these colours with the help of the PVD-technic, in which stainless steel is coated using vapour deposition.

The Miami sinks are 200 mm deep and have a radius of 10 mm. They are available in the sizes 40x40 cm and 50x40 cm, and are suitable for integrated, semi-integrated and underbuild installation. The Miami taps are available in two models: Cano and Crystal. In short, a complete line for people looking for colour in the kitchen. That's the beauty of Miami.



COPPER



GOLD

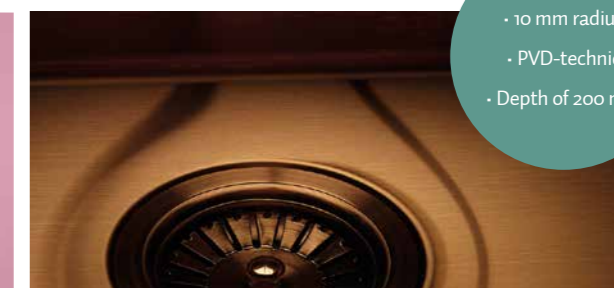


GUN METAL

MIAMI

WHERE BEING DIFFERENT MATTERS

OUR RANGE OF PVD COLOURED SINKS IS AS VARIED AND BEAUTIFUL AS THE WELL-KNOWN CITY OF MIAMI. AVAILABLE IN 3 COLOURS, THIS RANGE IS AS DISTINCT AS THE CITY IT IS NAMED AFTER.



- 10 mm radius
- PVD-technic
- Depth of 200 mm



Colour deviation per item is possible



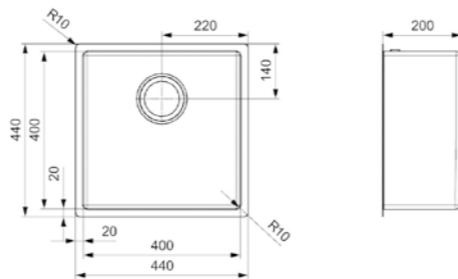
MIAMI

40X40 COPPER

Cabinet size 500 mm
 Depth 200 mm
 Sink unit dimensions 400 x 400 mm
 Total dimensions 440 x 440 mm



PVD-technic | 10 mm radius
 200 mm deep



Article number
R30707



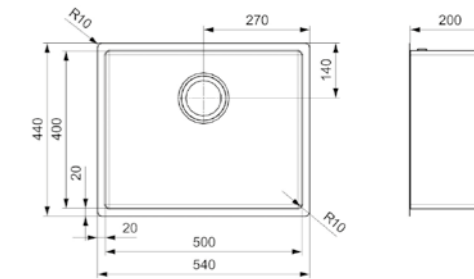
MIAMI

50X40 COPPER

Cabinet size 600 mm
 Depth 200 mm
 Sink unit dimensions 500 x 400 mm
 Total dimensions 540 x 440 mm



PVD-technic | 10 mm radius
 200 mm deep



Article number
R30738



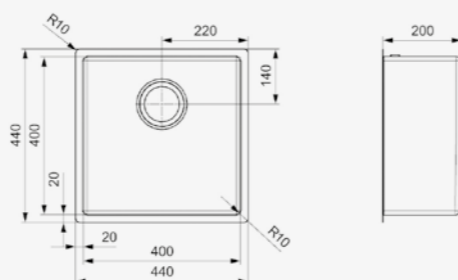
MIAMI

40X40 GOLD

Cabinet size 500 mm
 Depth 200 mm
 Sink unit dimensions 400 x 400 mm
 Total dimensions 440 x 440 mm



PVD-technic | 10 mm radius
 200 mm deep



Article number
R30714



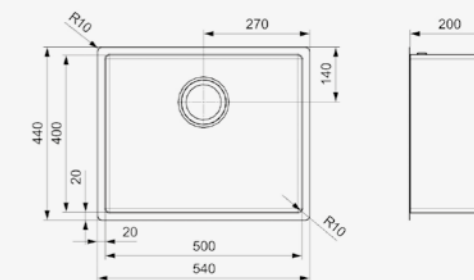
MIAMI

50X40 GOLD

Cabinet size 600 mm
 Depth 200 mm
 Sink unit dimensions 500 x 400 mm
 Total dimensions 540 x 440 mm



PVD-technic | 10 mm radius
 200 mm deep



Article number
R30745



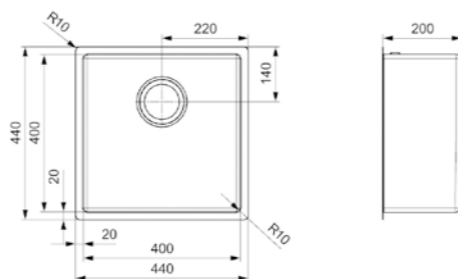
MIAMI

40X40 GUN METAL

Cabinet size 500 mm
 Depth 200 mm
 Sink unit dimensions 400 x 400 mm
 Total dimensions 440 x 440 mm



PVD-technic | 10 mm radius
 200 mm deep



Article number
R30691



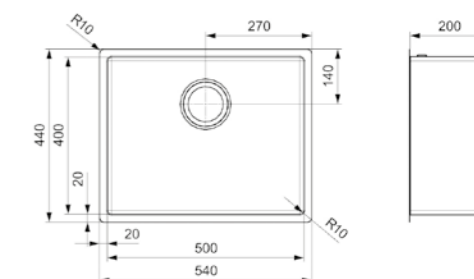
MIAMI

50X40 GUN METAL

Cabinet size 600 mm
 Depth 200 mm
 Sink unit dimensions 500 x 400 mm
 Total dimensions 540 x 440 mm



PVD-technic | 10 mm radius
 200 mm deep



Article number
R30721



Available
 in **3 colours**

**OHIO**

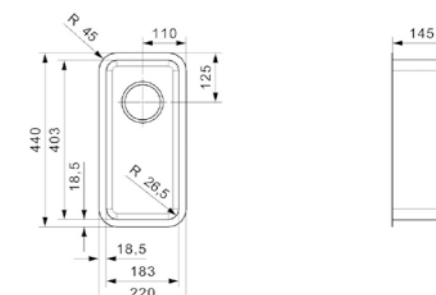
18X40

Cabinet size 400 mm
 Depth 145 mm
 Sink unit dimensions 183 x 403 mm
 Total dimensions 220 x 440 mm



Article number
R17579

Popup R35078 available separately

**OHIO**

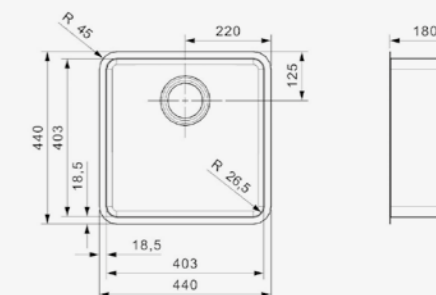
40X40

Cabinet size 500 mm
 Depth 180 mm
 Sink unit dimensions 403 x 403 mm
 Total dimensions 440 x 440 mm



Article number
R15957

Popup R35078 available separately

**OHIO**

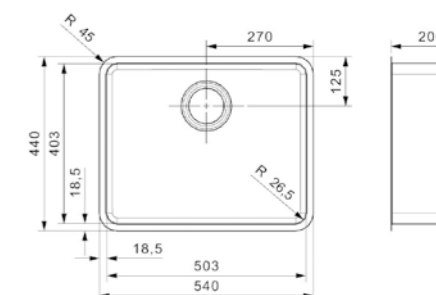
50X40

Cabinet size 600 mm
 Depth 200 mm
 Sink unit dimensions 503 x 403 mm
 Total dimensions 540 x 440 mm



Article number
R15780

Popup R35078 available separately



UNMISTAKABLY OHIO

Our Ohio range is available in many sizes. With both tapping and non tapping models available, this modern range can be undermount, semi-integrated or inset easily. This high quality, stylish and exclusive range also conforms to strict food safety standards. With 15 and 26,5 mm radiuses these sinks are easy to clean. Including a beautiful design overflow this range fits easily into any kitchen for both style and practicality.

**OHIO**

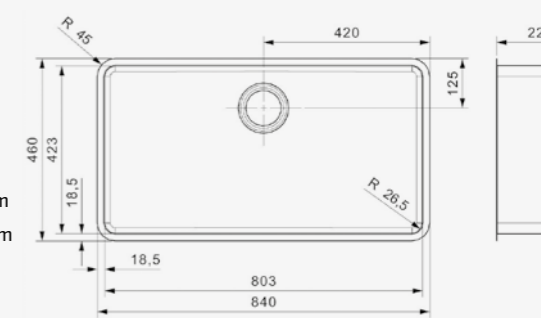
80X42

Cabinet size 900 mm
 Depth 220 mm
 Sink unit dimensions 803 x 423 mm
 Total dimensions 840 x 460 mm



Article number
R15766

Popup R35078 available separately





OHIO

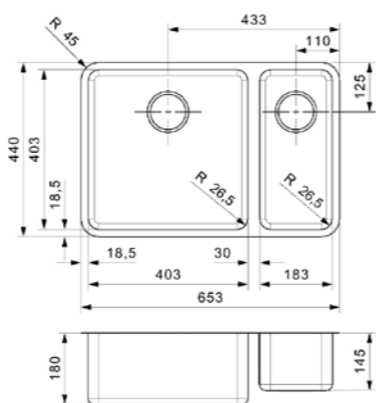
40X40+18X40

Cabinet size 800 mm
 Depth 180 + 145 mm
 Sink unit dimensions 403 x 403 + 183 x 403 mm
 Total dimensions 653 x 440 mm



Popup R35078 available separately

Article number
R17593



OHIO

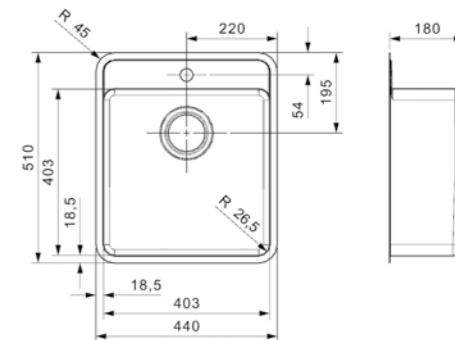
40X40 TAPWING

Cabinet size 500 mm
 Depth 180 mm
 Sink unit dimensions 403 x 403 mm
 Total dimensions 440 x 510 mm



Popup R35078 available separately

Article number
R15803



OHIO

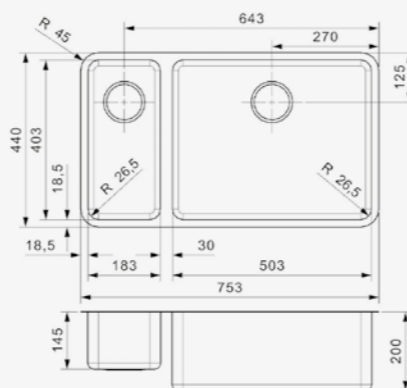
18X40+50X40

Cabinet size 800 mm
 Depth 145 + 200 mm
 Sink unit dimensions 183 x 403 + 503 x 403 mm
 Total dimensions 753 x 440 mm



Popup R35078 available separately

Article number
R15704



OHIO

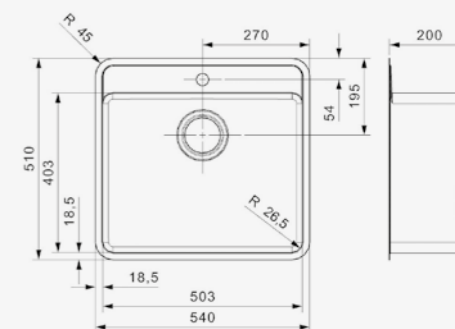
50X40 TAPWING

Cabinet size 600 mm
 Depth 200 mm
 Sink unit dimensions 503 x 403 mm
 Total dimensions 540 x 510 mm



Popup R35078 available separately

Article number
R15698



OHIO

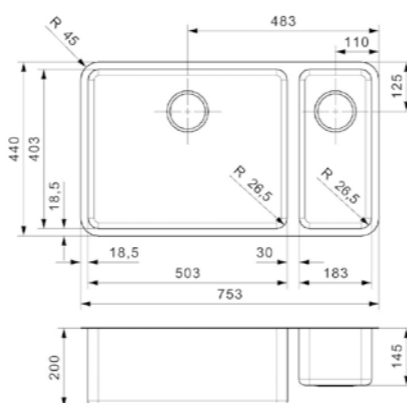
50X40+18X40

Cabinet size 800 mm
 Depth 200 + 145 mm
 Sink unit dimensions 503 x 403 + 183 x 403 mm
 Total dimensions 753 x 440 mm



Popup R35078 available separately

Article number
R15711



OHIO

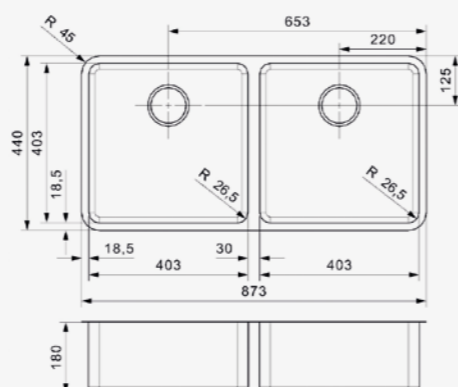
40X40+40X40

Cabinet size 900 mm
 Depth 180 + 180 mm
 Sink unit dimensions 403 x 403 + 403 x 403 mm
 Total dimensions 873 x 440 mm



Popup R35078 available separately

Article number
R16596

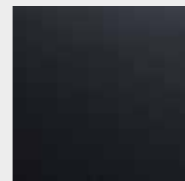


Including a beautiful design overflow

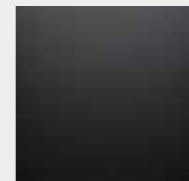


A subtle touch of colour

The metallic and pearlescent finishes of these powder coated stainless steel sinks will bring any kitchen alive. This high quality, stylish and exclusive range also conforms to strict food safety standards with varying radiuses meaning these sinks are easy to clean and maintain.



MIDNIGHT
SKY



JET
BLACK

OHIO COATED

HIGH QUALITY, STYLISH
AND EXCLUSIVE

OUR OHIO COATED SINKS BRING A SUBTLE TOUCH OF COLOUR TO ANY KITCHEN. AVAILABLE IN MIDNIGHT SKY AND JET BLACK.



· 25 mm radius
· Design overflow



Article number
R32732

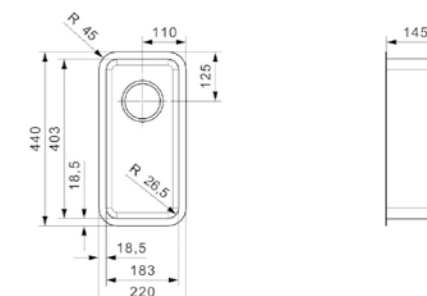
OHIO

18X40 JET BLACK

Cabinet size 400 mm
Depth 145 mm
Sink unit dimensions 183 x 403 mm
Total dimensions 220 x 440 mm



Popup R35078 available separately
Stainless steel sink with coating



Article number
R32725

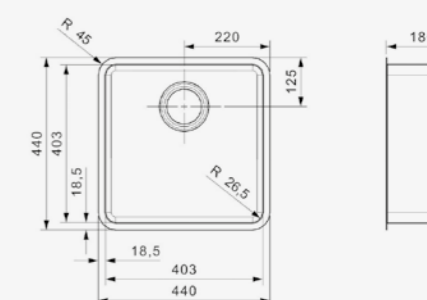
OHIO

40X40 JET BLACK

Cabinet size 500 mm
Depth 180 mm
Sink unit dimensions 403 x 403 mm
Total dimensions 440 x 440 mm



Popup R35078 available separately
Stainless steel sink with coating



Article number
R25949

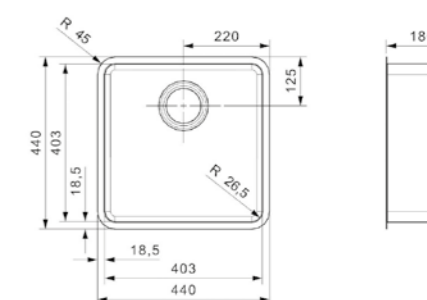
OHIO

40X40 MIDNIGHT SKY

Cabinet size 500 mm
Depth 180 mm
Sink unit dimensions 403 x 403 mm
Total dimensions 440 x 440 mm



Popup R35078 available separately
Stainless steel sink with coating



Article number
R32718

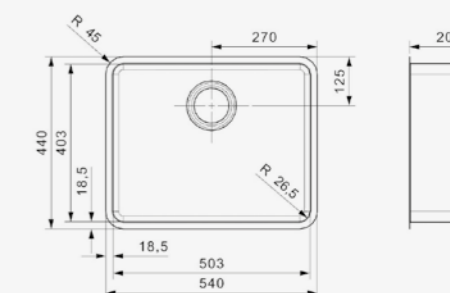
OHIO

50X40 JET BLACK

Cabinet size 600 mm
Depth 200 mm
Sink unit dimensions 503 x 403 mm
Total dimensions 540 x 440 mm



Popup R35078 available separately
Stainless steel sink with coating





Article number
R25970

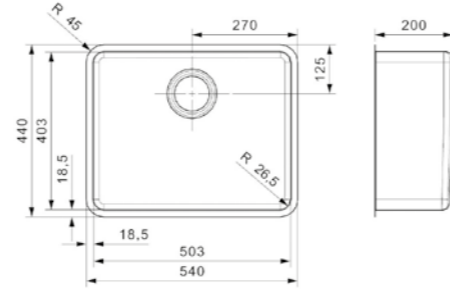
OHIO

50X40 MIDNIGHT SKY

Cabinet size 600 mm
Depth 200 mm
Sink unit dimensions 503 x 403 mm
Total dimensions 540 x 440 mm



Popup R35078 available separately
Stainless steel sink with coating



Article number
R32688

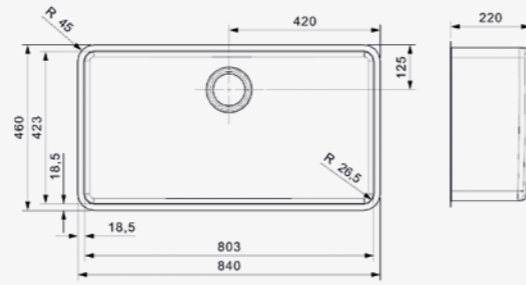
OHIO

80X42 JET BLACK

Cabinet size 900 mm
Depth 220 mm
Sink unit dimensions 803 x 423 mm
Total dimensions 840 x 460 mm



Popup R35078 available separately
Stainless steel sink with coating



Article number
R32701

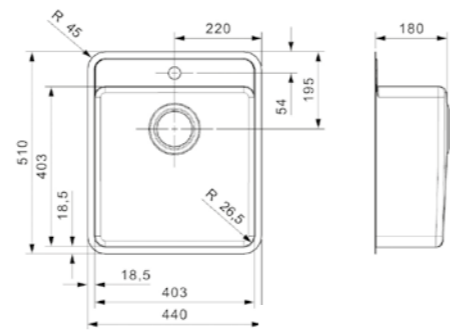
OHIO

40X40 JET BLACK TAPWING

Cabinet size 500 mm
Depth 180 mm
Sink unit dimensions 403 x 403 mm
Total dimensions 440 x 510 mm



Popup R35078 available separately
Stainless steel sink with coating



Article number
R32695

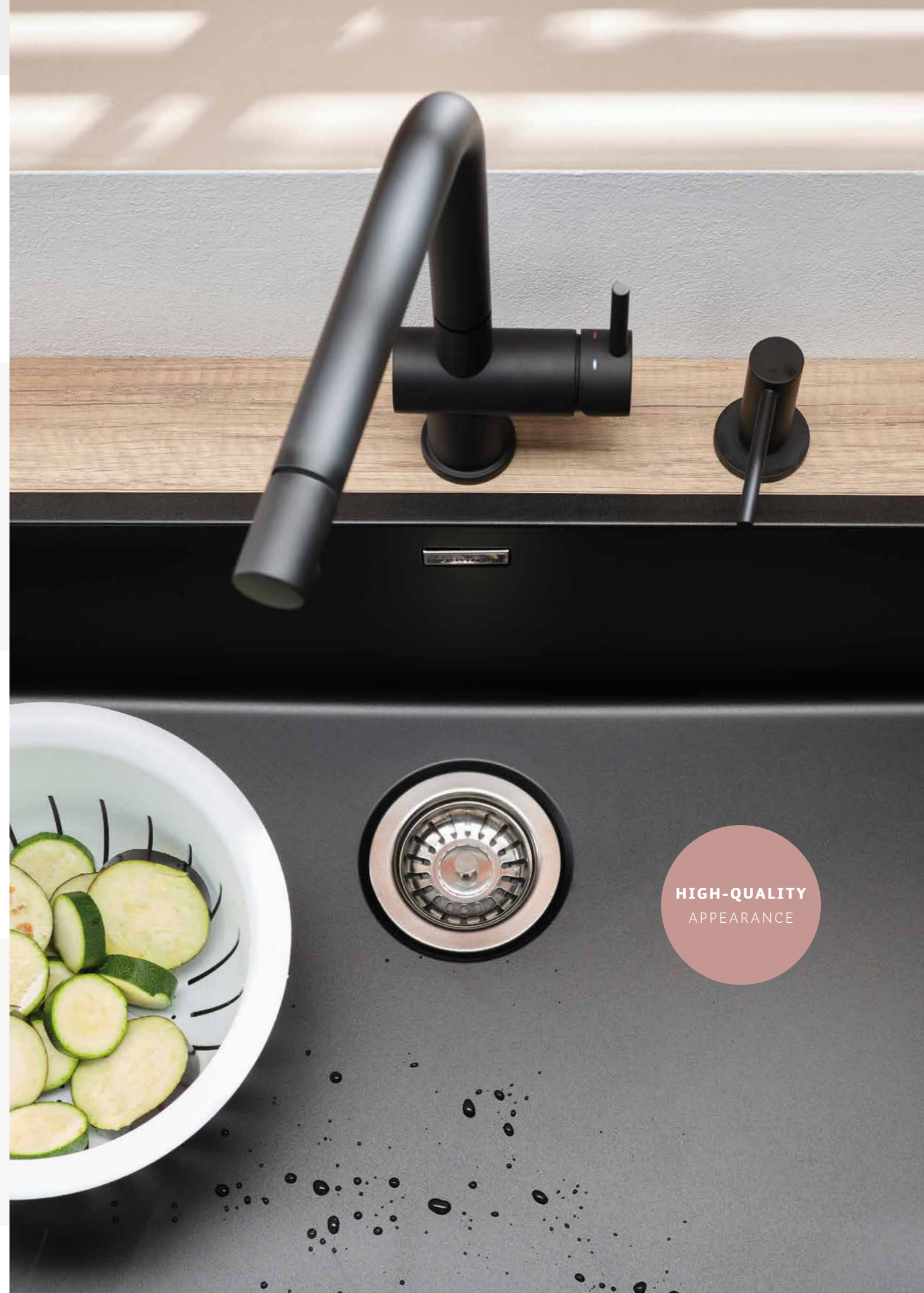
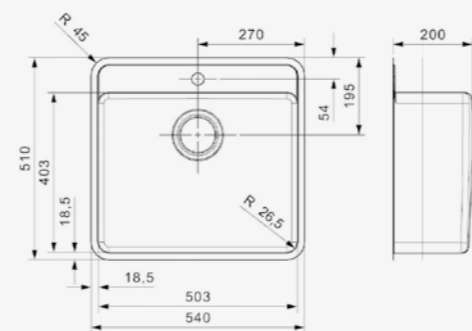
OHIO

50X40 JET BLACK TAPWING

Cabinet size 600 mm
Depth 200 mm
Sink unit dimensions 503 x 403 mm
Total dimensions 540 x 510 mm



Popup R35078 available separately
Stainless steel sink with coating



**HIGH-QUALITY
APPEARANCE**

KANSAS EXTRA DEEP



The Kansas sinks from Reginox are extra deep, yet still have a tight radius. With a depth of 25 cm, the Kansas sinks are available in the sizes 40x40 and 50x40, and are suitable for an integrated, semi-integrated and underbuild installation.



Article number
R19047

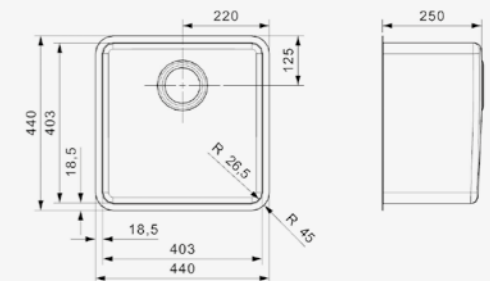
KANSAS

40X40

Cabinet size	500 mm
Depth	250 mm
Sink unit dimensions	403 x 403 mm
Total dimensions	440 x 440 mm



Popup R35078 available separately



Article number
R19054

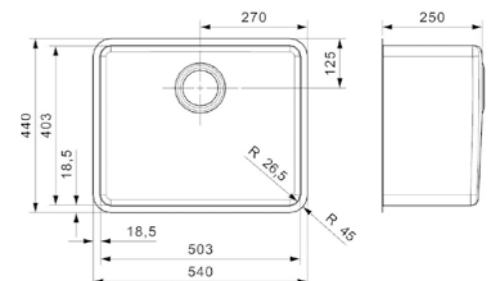
KANSAS

50X40

Cabinet size	600 mm
Depth	250 mm
Sink unit dimensions	503 x 403 mm
Total dimensions	540 x 440 mm



Popup R35078 available separately



Also available as a Clean & Care sink,
see page 94.



The IB series is available in our standard version and our Clean & Care sink (in 316 steel). This series is popular in the project market and can be installed as an integrated, semi-integrated and underbuild sink. The horizontal bar overflow completes the design.



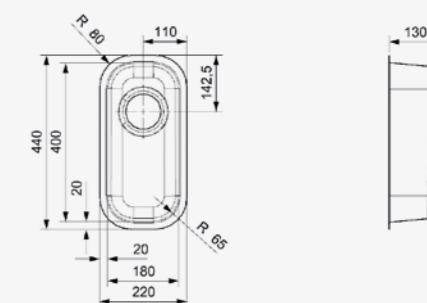
Article number
R23785

IB

1840
Cabinet size 400 mm
Depth 130 mm
Sink unit dimensions 180 x 400 mm
Total dimensions 220 x 440 mm



Popup R35078 available separately



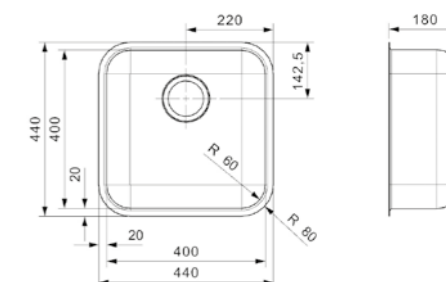
Article number
R32015

IB

4040
Cabinet size 500 mm
Depth 180 mm
Sink unit dimensions 400 x 400 mm
Total dimensions 440 x 440 mm



Popup R35078 available separately



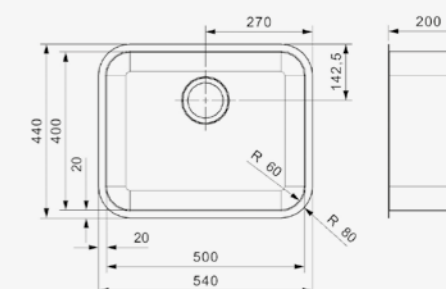
Article number
R32022

IB

5040
Cabinet size 600 mm
Depth 200 mm
Sink unit dimensions 500 x 400 mm
Total dimensions 540 x 440 mm



Popup R35078 available separately



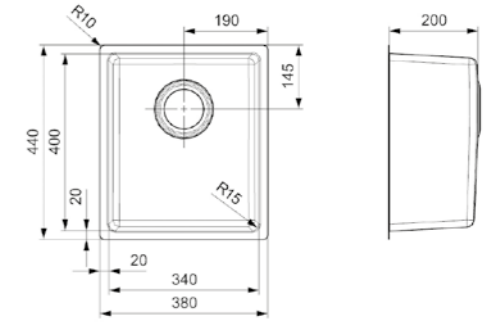
ATTRACTIVE IN BOTH DESIGN AND PRICE

THE IB SERIES FROM REGINOX OFFERS THE GREAT ADVANTAGE OF BEING BOTH ATTRACTIVELY PRICED AND ELEGANTLY DESIGNED.



HOUSTON

34X40
 Cabinet size 450 mm
 Depth 200 mm
 Sink unit dimensions 340 x 400 mm
 Total dimensions 380 x 440 mm

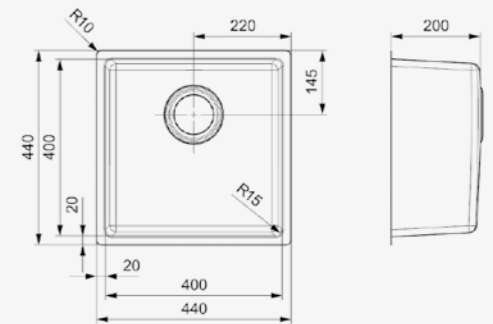


Article number
R32862



HOUSTON

40X40
 Cabinet size 500 mm
 Depth 200 mm
 Sink unit dimensions 400 x 400 mm
 Total dimensions 440 x 440 mm

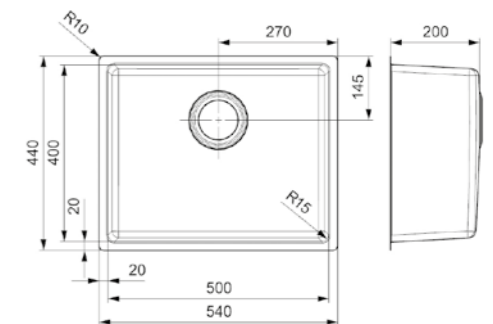


Article number
R32848



HOUSTON

50X40
 Cabinet size 600 mm
 Depth 200 mm
 Sink unit dimensions 500 x 400 mm
 Total dimensions 540 x 440 mm



Article number
R32855

HELLO HOUSTON

OUR HOUSTON RANGE COMBINES STYLE WITH PRICE, AS PART OF OUR ENTRY LEVEL RANGE THIS LINE IS PERFECT FOR ANY PROJECT WANTING TO ADD A CERTAIN ELEGANCE TO A BUDGET KITCHEN.



As with many of our other sinks the Houston is a deep-drawn sink with a 200 mm bowl depth which adds durability and sustainability to this already appealing range. A diverse range with diverse applications!



Combines style with **price**



Looking for a modern sink with a draining section? Then you will love the Centurio series by Reginox. The Centurio series is characterised by a modern look combined with a luxurious finish. Available in several sizes and suitable for an integrated and semi-integrated installation.

CENTURIO

WITH DRAINING SECTION



For the Clean & Care Centurio: see page 93.





CENTURIO

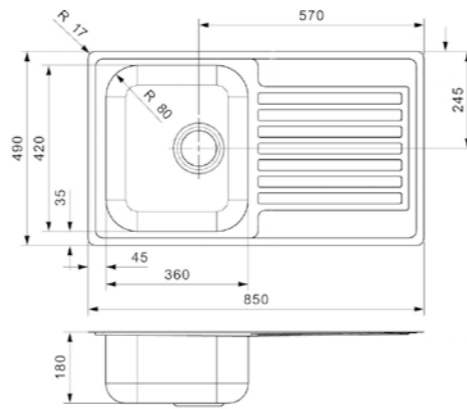
L10

Cabinet size 600 mm
 Depth 180 mm
 Sink unit dimensions 360 x 420 mm
 Total dimensions 850 x 490 mm



Article number
R19542

Popup R22276 available separately
 Tap hole is optional | Sink is reversible



CENTURIO

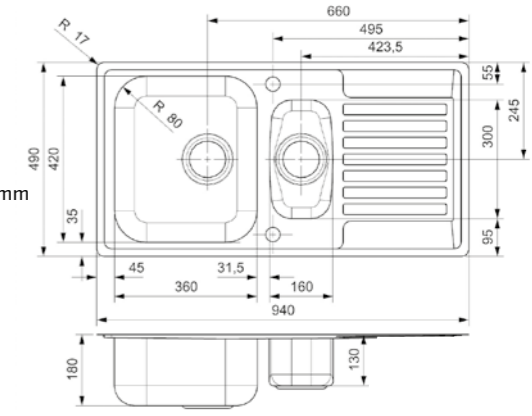
L1,5

Cabinet size 600 mm
 Depth 180 + 130 mm
 Sink unit dimensions 360 x 420 + 160 x 300 mm
 Total dimensions 940 x 490 mm



Article number
R19580

Popup R20357 available separately
 Including stainless steel colander
 Tap hole is optional | Sink is reversible



CENTURIO

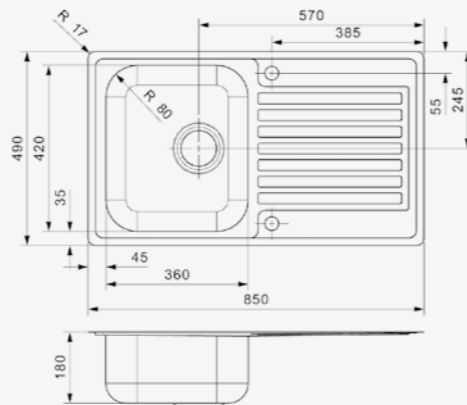
L10

Cabinet size 600 mm
 Depth 180 mm
 Sink unit dimensions 360 x 420 mm
 Total dimensions 850 x 490 mm



Article number
R19559

Including popup R22276 and two tap holes



CENTURIO

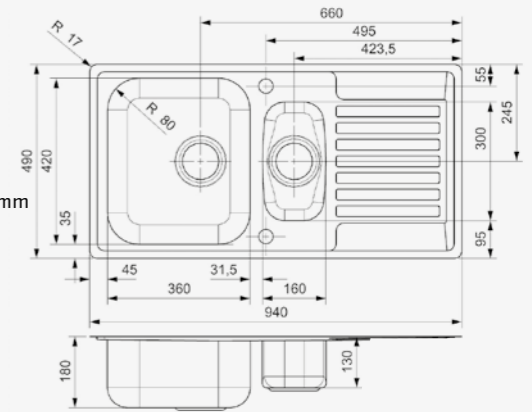
L1,5

Cabinet size 600 mm
 Depth 180 + 130 mm
 Sink unit dimensions 360 x 420 + 160 x 300 mm
 Total dimensions 940 x 490 mm



Article number
R30387

Including popup R20357 and two tap holes



CENTURIO

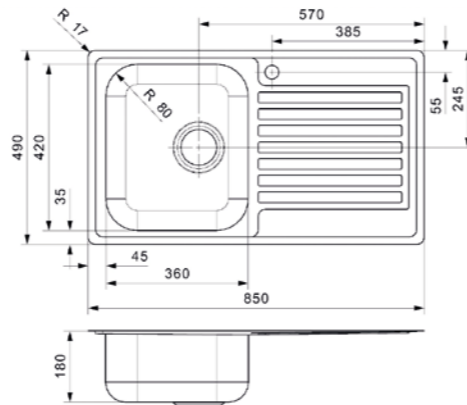
L10 LEFT

Cabinet size 600 mm
 Depth 180 mm
 Sink unit dimensions 360 x 420 mm
 Total dimensions 850 x 490 mm



Article number
R23211

Popup R22276 available separately
 Including tap hole



CENTURIO

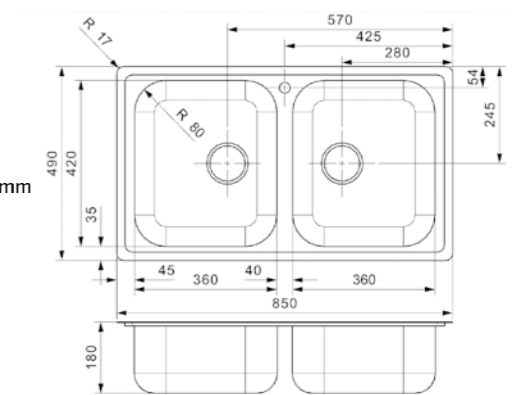
L20

Cabinet size 800 mm
 Depth 180 + 180 mm
 Sink unit dimensions 360 x 420 + 360 x 420 mm
 Total dimensions 850 x 490 mm



Article number
R21453

Popup R20357 available separately



CENTURIO

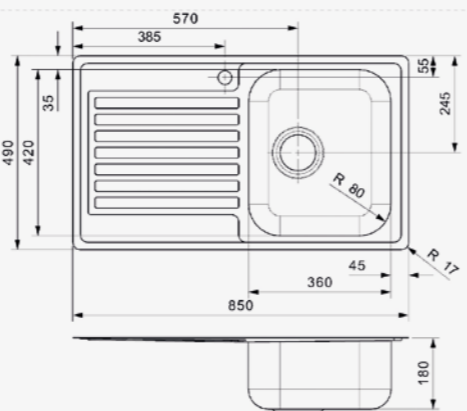
L10 RIGHT

Cabinet size 600 mm
 Depth 180 mm
 Sink unit dimensions 360 x 420 mm
 Total dimensions 850 x 490 mm



Article number
R23204

Popup R22276 available separately
 Including tap hole



CENTURIO

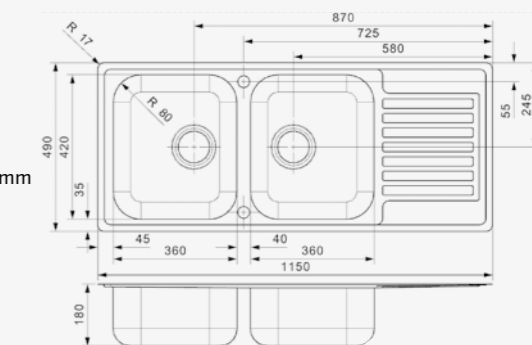
L30

Cabinet size 800 mm
 Depth 180 + 180 mm
 Sink unit dimensions 360 x 420 + 360 x 420 mm
 Total dimensions 1150 x 490 mm



Article number
R19627

Popup R20357 available separately





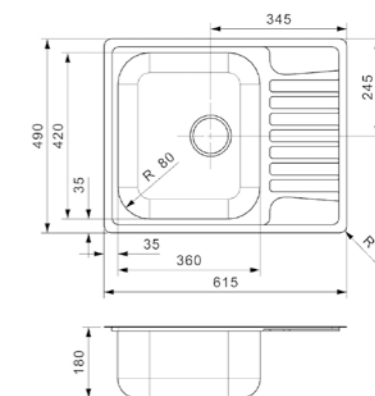
ADMIRAL

L40
 Cabinet size 500 mm
 Depth 180 mm
 Sink unit dimensions 360 x 420 mm
 Total dimensions 615 x 490 mm



Article number
R18309

Popup R22276 available separately
 Sink is reversible



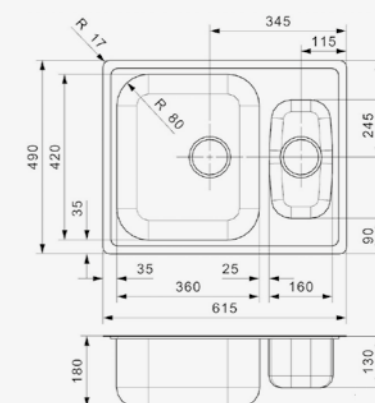
ADMIRAL

L60
 Cabinet size 600 mm
 Depth 180 + 130 mm
 Sink unit dimensions 360 x 420 + 160 x 300 mm
 Total dimensions 615 x 490 mm



Article number
R18279

Popup R20357 available separately
 Including stainless steel colander | Sink is reversible



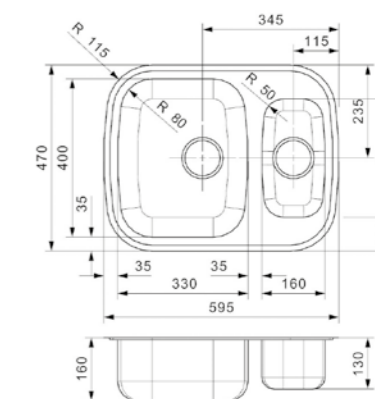
QUEEN

L60
 Cabinet size 600 mm
 Depth 160 + 130 mm
 Sink unit dimensions 330 x 400 + 160 x 300 mm
 Total dimensions 595 x 470 mm



Article number
R16633

Popup R20357 available separately
 Including stainless steel colander | Sink is reversible



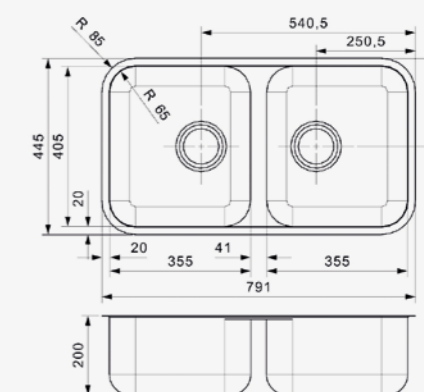
HALIFAX

Cabinet size 800 mm
 Depth 200 + 200 mm
 Sink unit dimensions 355 x 405 + 355 x 405 mm
 Total dimensions 791 x 445 mm



Article number
R17357

Popup R20357 available separately

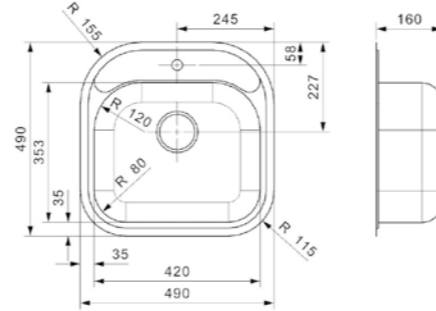


EVERY SINK IS **PRODUCED**
WITH PRECISION AND CARE



BOSTON L

Cabinet size 600 mm
 Depth 160 mm
 Sink unit dimensions 420 x 353 mm
 Total dimensions 490 x 490 mm



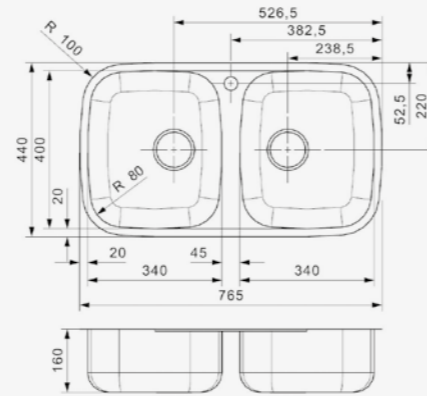
Article number
R00670

Popup R22276 available separately



PRINCESS 80

Cabinet size 800 mm
 Depth 160 + 160 mm
 Sink unit dimensions 340 x 400 + 340 x 400 mm
 Total dimensions 765 x 440 mm



Article number
R00793

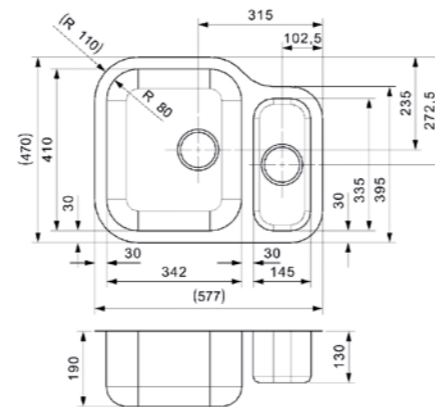
Popup R22276 available separately



ALASKA

LEFT

Cabinet size 600 mm
 Depth 190 + 130 mm
 Sink unit dimensions 342 x 410 + 145 x 335 mm
 Total dimensions 577 x 470 mm



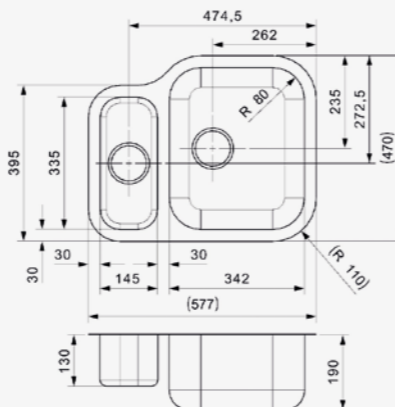
Article number
R19009



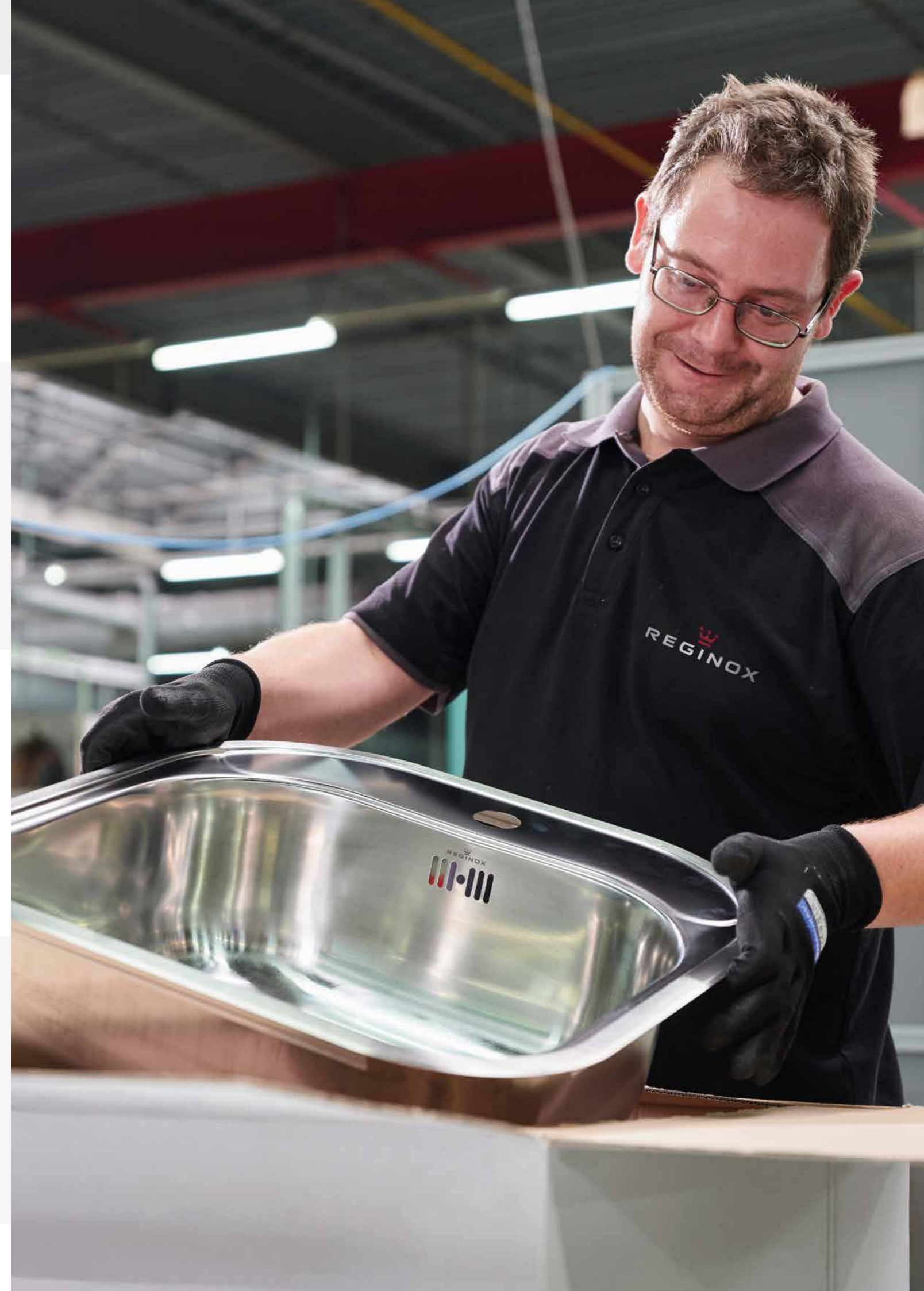
ALASKA

RIGHT

Cabinet size 600 mm
 Depth 130 + 190 mm
 Sink unit dimensions 145 x 335 + 342 x 410 mm
 Total dimensions 577 x 470 mm



Article number
R19016



COLORADO COMFORT

WHERE COMFORT MEETS DIVERSITY

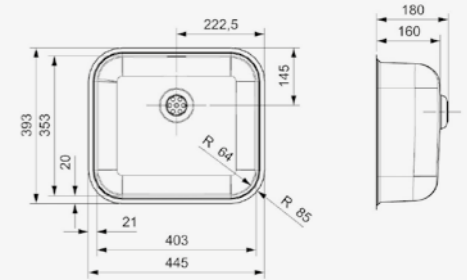


This sink envisions a simplistic, refined design, with a sleek horizontal overflow and a polished silk finish. Because of the deep-drawn manufacturing process the Colorado has no seams or edges. The new integrated comfort waste also means there is less chance of leaks and bacteria build up.



COLORADO
COMFORT L

- Cabinet size 450 mm
- Depth 160 mm
- Sink unit dimensions 403 x 353 mm
- Total dimensions 445 x 393 mm



Article number
R24195

Popup R35085 available separately | Comfort plug

VERY EASY TO
CLEAN AND
MAINTAIN



The Colorado has no **seams** or **edges**



FOR MORE
INFORMATION
TAKE A LOOK AT
WWW.REGINOX.COM

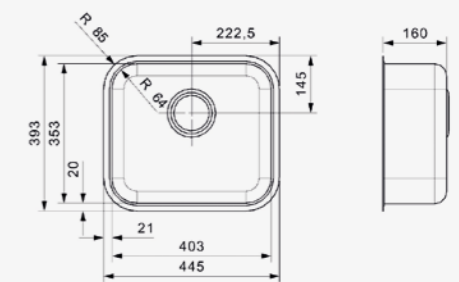
With black horizontal bars as the overflow and a basket plug including strainer in Jet Black, this coated Colorado sink fits into many modern kitchens. The Colorado Jet Black can be combined with Reginox's black taps and matching soap dispenser in Jet Black.



COLORADO

L OKG JET BLACK

- Cabinet size 450 mm
- Depth 160 mm
- Sink unit dimensions 403 x 353 mm
- Total dimensions 445 x 393 mm



Article number
R32626

Stainless steel sink with coating

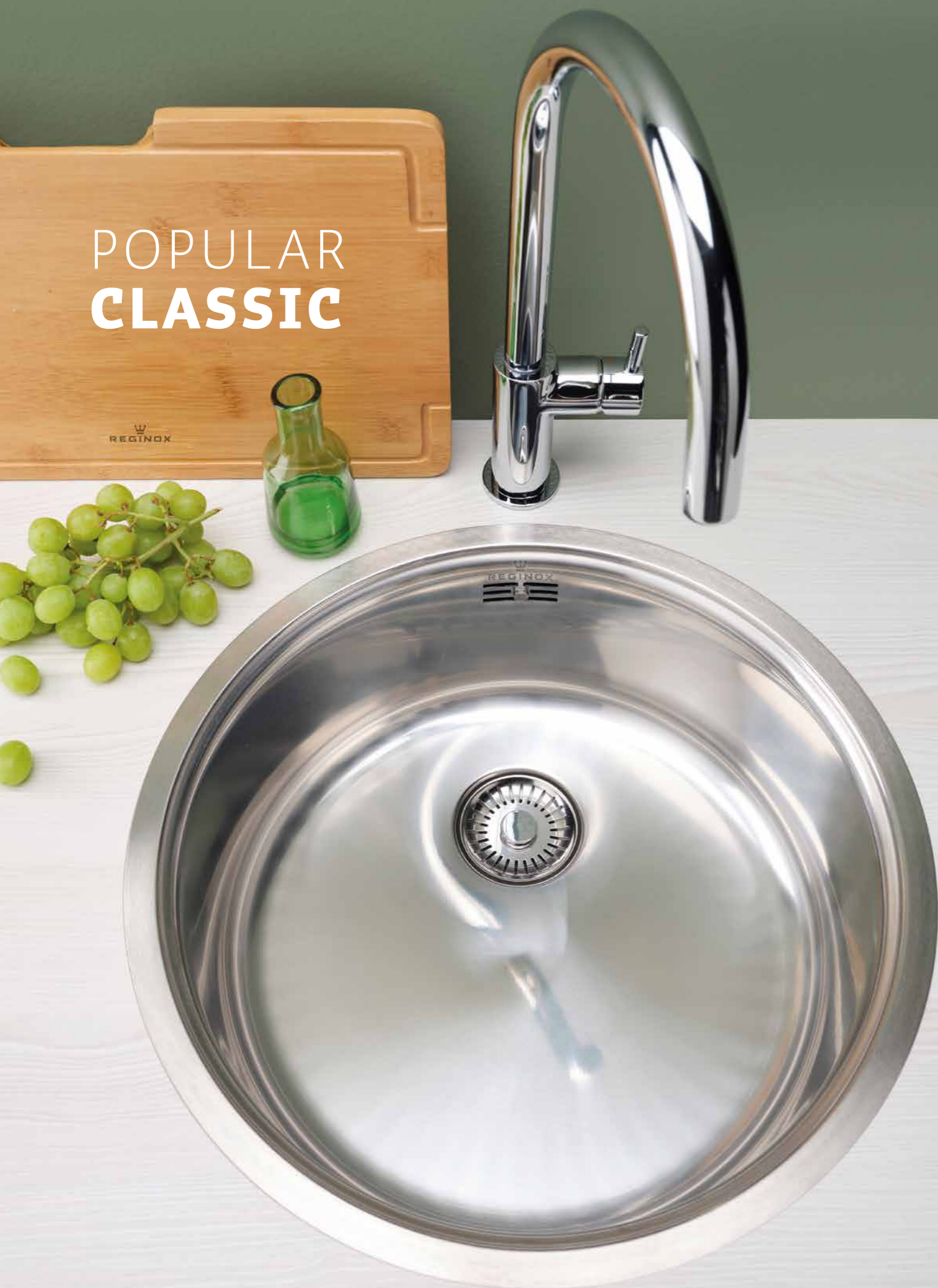
COLORADO COATED

BLACK BEAUTY

ONE OF THE MOST POPULAR SINKS FROM REGINOX
IS ALSO AVAILABLE IN THE COLOUR JET BLACK.



POPULAR CLASSIC



The L18 series belongs to the popular classics! Round, square, double, colour, deep drain, stop chain: Reginox offers many different options.

The horizontal bar overflow and the polished finish give the L18 series a nice subtle touch. This series can be installed in three ways: integrated, semi-integrated and underbuild.

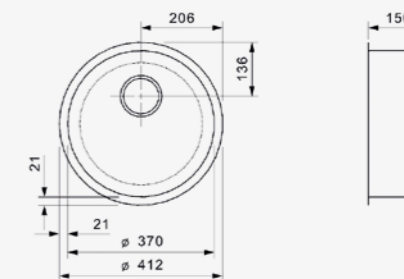


Article number
R14349

L18

370 OKG

Cabinet size	450 mm
Depth	150 mm
Sink unit dimensions	370 mm
Total dimensions	412 mm



Popup R22276 available separately

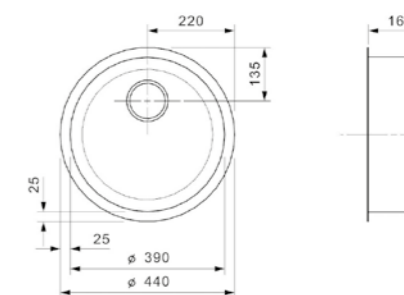


Article number
R00755

L18

390 OKG

Cabinet size	450 mm
Depth	160 mm
Sink unit dimensions	390 mm
Total dimensions	440 mm



Popup R22276 available separately

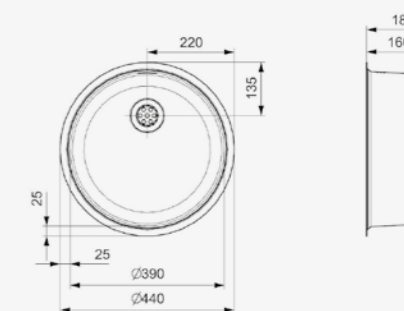


Article number
R26076

L18

390 COMFORT

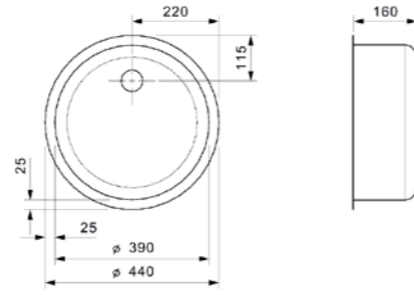
Cabinet size	450 mm
Depth	160 mm
Sink unit dimensions	390 mm
Total dimensions	440 mm



Comfort plug
Popup R35085 available separately



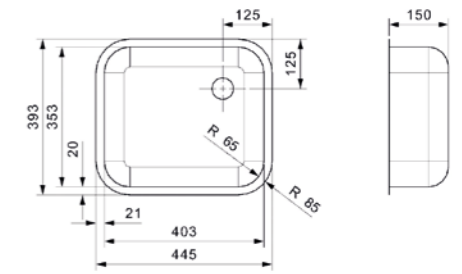
L18
390 OSK
 Cabinet size 450 mm
 Depth 160 mm
 Sink unit dimensions 390 mm
 Total dimensions 440 mm



Article number
R00748



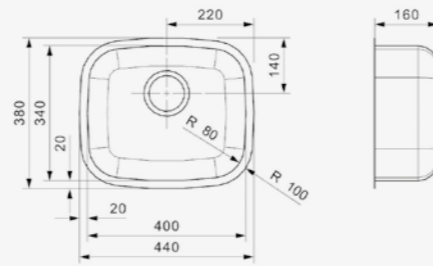
L18
4035 OSK
 Cabinet size 450 mm
 Depth 150 mm
 Sink unit dimensions 403 x 353 mm
 Total dimensions 445 x 393 mm



Article number
R00762



L18
3440 OKG
 Cabinet size 450 mm
 Depth 160 mm
 Sink unit dimensions 400 x 340 mm
 Total dimensions 440 x 380 mm

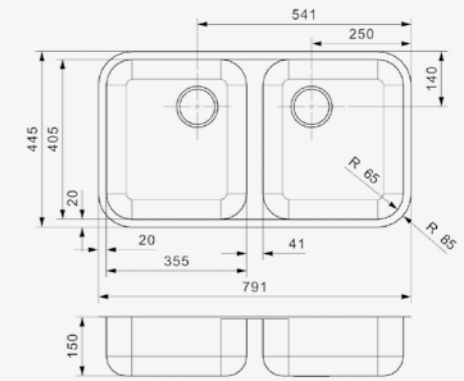


Article number
R03060

Popup R22276 available separately



L18
35D40 KGOKG
 Cabinet size 800 mm
 Depth 150 + 150 mm
 Sink unit dimensions 355 x 405 + 355 x 405 mm
 Total dimensions 791 x 445 mm

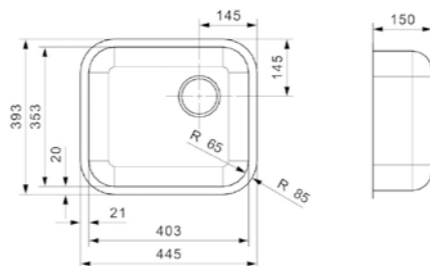


Article number
R03367

Popup R20357 available separately



L18
4035 OKG
 Cabinet size 450 mm
 Depth 150 mm
 Sink unit dimensions 403 x 353 mm
 Total dimensions 445 x 393 mm

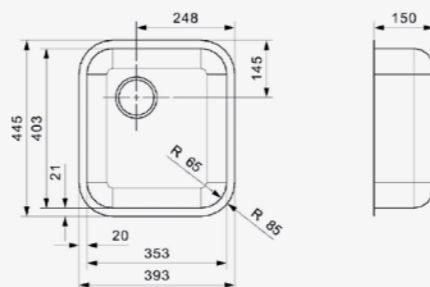


Article number
R03251

Popup R22276 available separately



L18
4035 OKG WOKZ
 Cabinet size 450 mm
 Depth 150 mm
 Sink unit dimensions 353 x 403 mm
 Total dimensions 393 x 445 mm

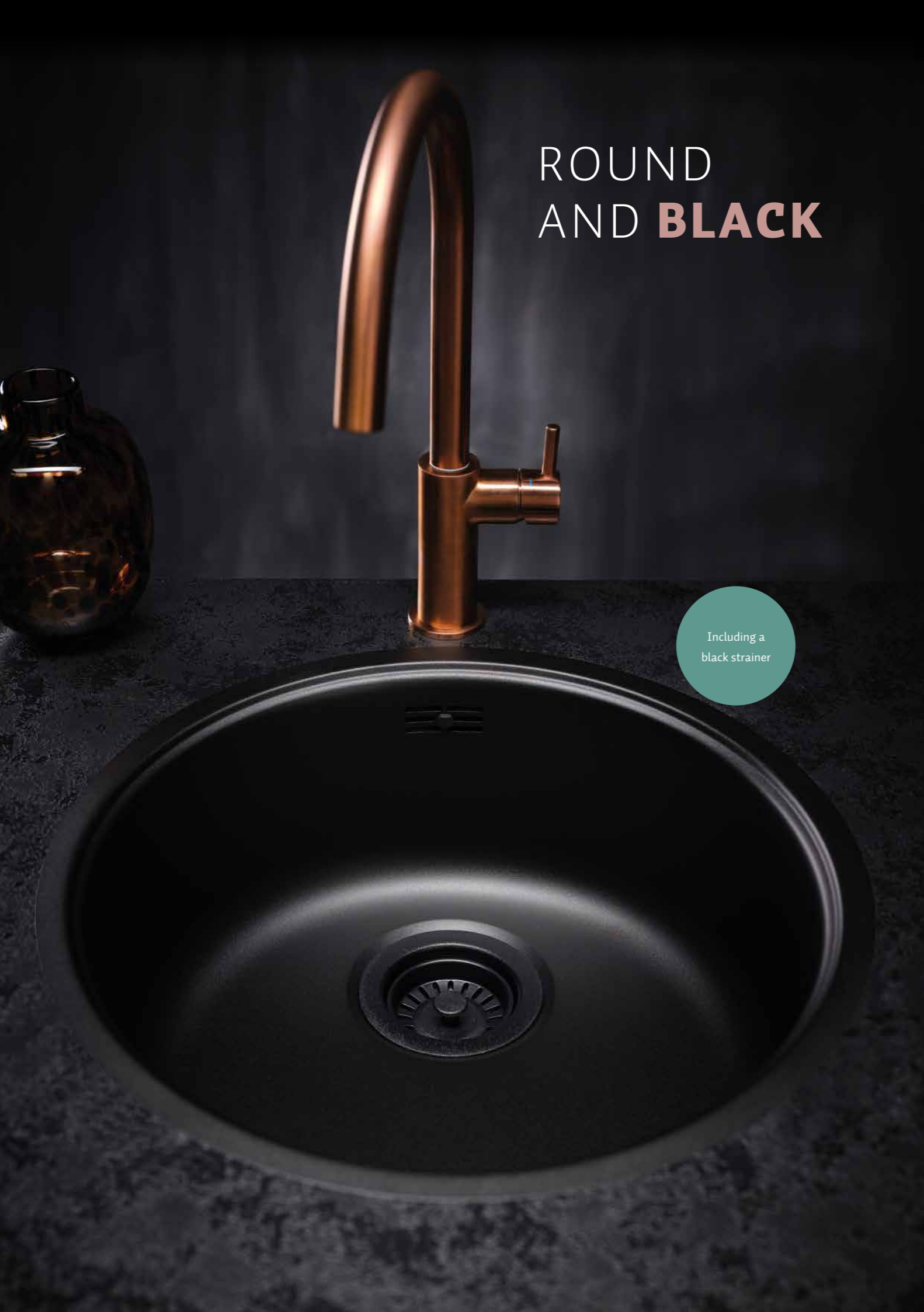


Article number
R03305

Popup R22276 available separately



ROUND AND **BLACK**

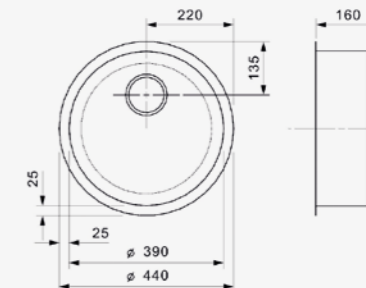


Including a
black strainer

The L18 390 OKG is also available in Jet Black. An elegant sink for the kitchen.
Comes with a black basket plug set including a black strainer. Simplicity at its best!



L18
390 OKG JET BLACK
Cabinet size 450 mm
Depth 160 mm
Sink unit dimensions 390 mm
Total dimensions 440 mm



Article number
R34934

Stainless steel sink with coating

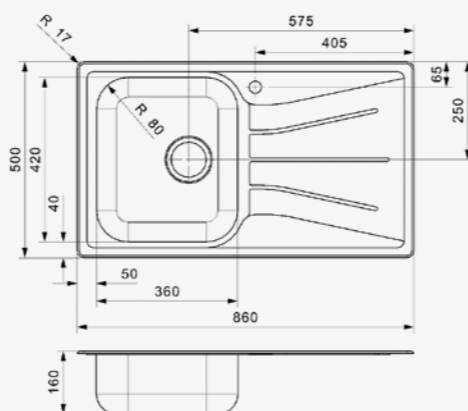




DIPLOMAT

10 ECO

Cabinet size 500 mm
 Depth 160 mm
 Sink unit dimensions 360 x 420 mm
 Total dimensions 860 x 500 mm



Article number
R21170

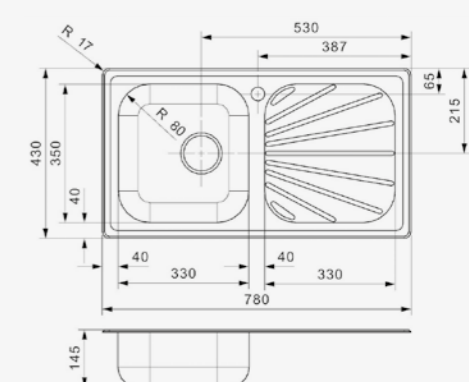
Popup R22276 available separately
 Tap hole is optional | Sink is reversible



BETA

10 BAP

Cabinet size 450 mm
 Depth 145 mm
 Sink unit dimensions 330 x 350 mm
 Total dimensions 780 x 430 mm



Article number
R16756

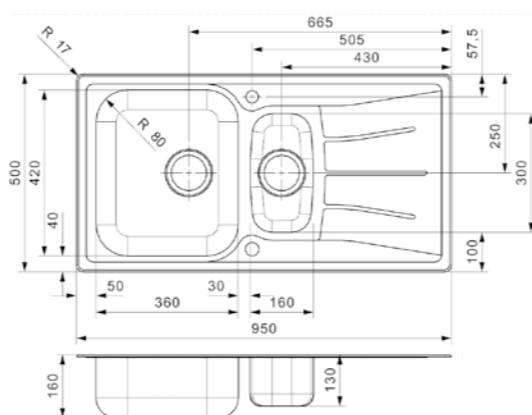
Popup R22276 available separately
 Tap hole is optional | Sink is reversible



DIPLOMAT

1,5 ECO

Cabinet size 600 mm
 Depth 160 + 130 mm
 Sink unit dimensions 360 x 420 + 160 x 300 mm
 Total dimensions 950 x 500 mm



Article number
R21224

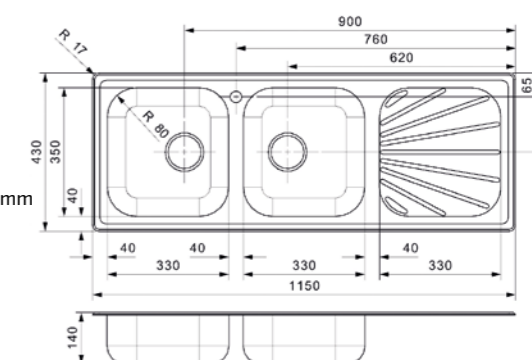
Popup R22276 available separately
 Tap hole is optional | Sink is reversible



BETA

30 BAP

Cabinet size 800 mm
 Depth 140 + 140 mm
 Sink unit dimensions 330 x 350 + 330 x 350 mm
 Total dimensions 1150 x 430 mm



Article number
R16770

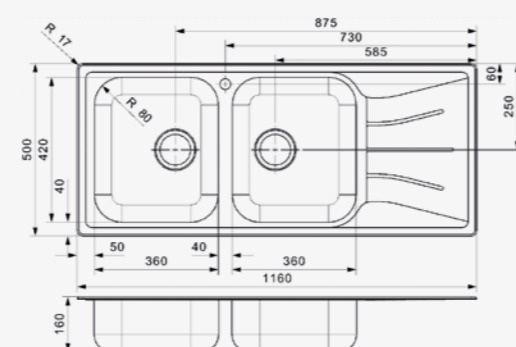
Popup R22276 available separately
 Tap hole is optional | Sink is reversible



DIPLOMAT

30 ECO

Cabinet size 800 mm
 Depth 160 + 160 mm
 Sink unit dimensions 360 x 420 + 360 x 420 mm
 Total dimensions 1160 x 500 mm



Article number
R21293

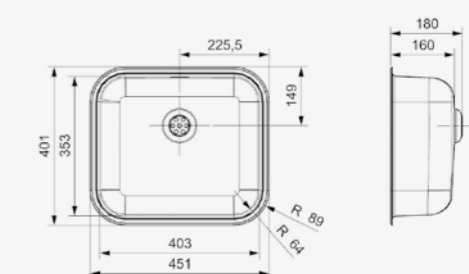
Popup R22276 available separately
 Tap hole is optional | Sink is reversible



COLORADO

COMFORT R

Cabinet size 450 mm
 Depth 160 mm
 Sink unit dimensions 403 x 353 mm
 Total dimensions 451 x 401 mm



Article number
R24317

Popup R35085 available separately



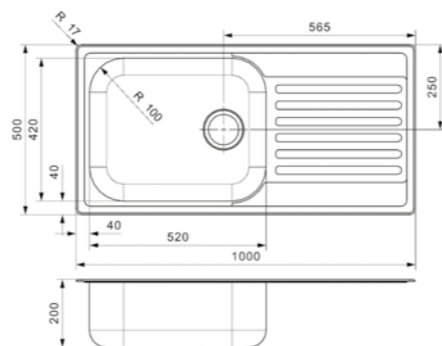
MINISTER

10
 Cabinet size 600 mm
 Depth 200 mm
 Sink unit dimensions 520 x 420 mm
 Total dimensions 1000 x 500 mm



Article number
R24508

Popup R22276 available separately
 Tap hole is optional | Sink is reversible



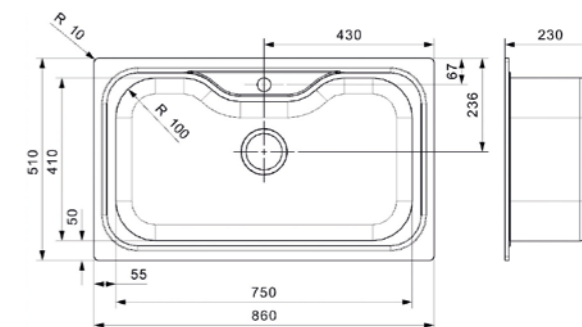
JUMBO

Cabinet size 900 mm
 Depth 230 mm
 Sink unit dimensions 750 x 410 mm
 Total dimensions 860 x 510 mm



Article number
R18354

Popup R22276 available separately
 Including tap hole



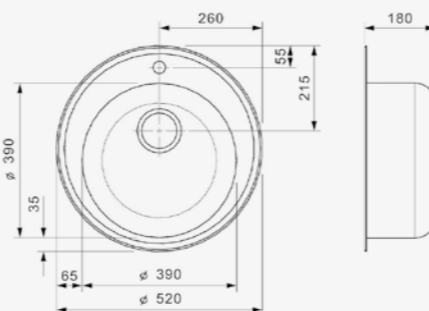
MOSCOW

OKG
 Cabinet size 450 mm
 Depth 180 mm
 Sink unit dimensions 390 mm
 Total dimensions 520 mm



Article number
Ro3435

Popup R22276 available separately | Including tap hole



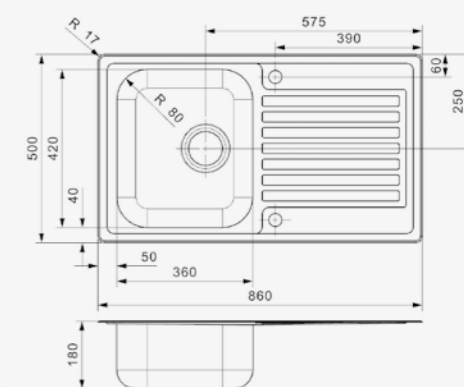
CENTURIO

R10
 Cabinet size 500 mm
 Depth 180 mm
 Sink unit dimensions 360 x 420 mm
 Total dimensions 860 x 500 mm



Article number
R23105

Popup R22276 available separately
 Tap hole is optional | Sink is reversible



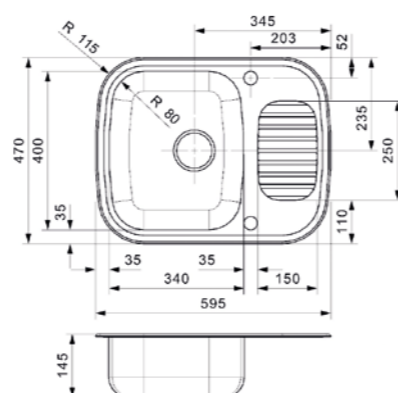
REGIDRAIN

Cabinet size 450 mm
 Depth 145 mm
 Sink unit dimensions 340 x 400 mm
 Total dimensions 595 x 470 mm



Article number
Ro1929

Popup R22276 available separately
 Tap hole is optional | Sink is reversible



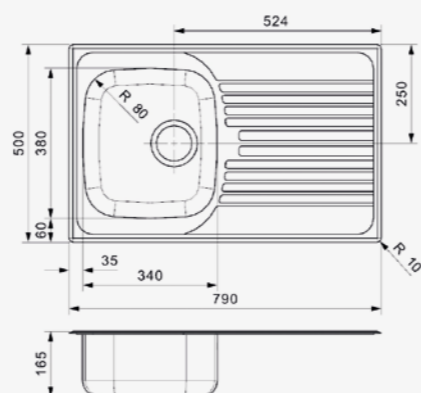
REX

10
 Cabinet size 450 mm
 Depth 165 mm
 Sink unit dimensions 340 x 380 mm
 Total dimensions 790 x 500 mm



Article number
R17425

Tap hole is optional | Sink is reversible
 Minimum 80 pieces



More than
45 years
 of experience



WALL MOUNTED

The Ottawa is made from stainless steel, has a depth of 225 mm and is supplied with suspension hooks which make wall mounting possible.



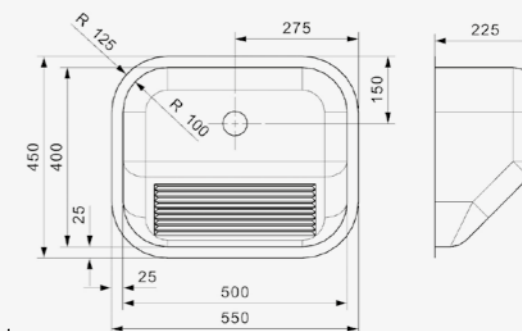
Article number
Ro4029

OTTAWA

OSP WALL MOUNT SET

Cabinet size	600 mm
Depth	225 mm
Sink unit dimensions	500 x 400 mm
Total dimensions	550 x 450 mm

Sink includes overflow and wall mount set
Also available without overflow and/or wall mount set on request



OTTAWA

A STAINLESS STEEL SINK FOR YOUR SCULLERY, BARN, GARAGE OR WORKSHOP. THE OTTAWA HAS IT ALL.



The R18 series is made from the best steel and is characterised by its inset installation. With our lifetime guarantee on stainless steel sinks, you will enjoy our sinks for years to come. For our integrated, semi-integrated and underbuild installation options, take a look at our L18 series.

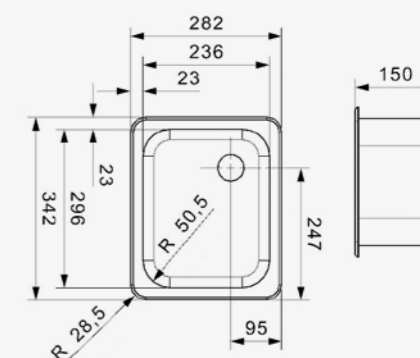


Article number
Ro0380

R18

2330 OSK

Cabinet size	400 mm
Depth	150 mm
Sink unit dimensions	296 x 236 mm
Total dimensions	282 x 342 mm

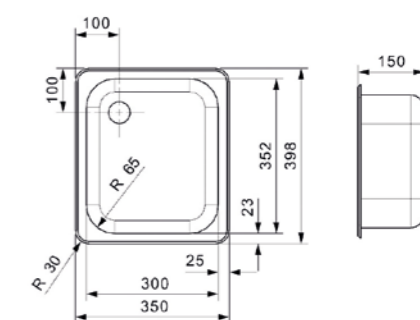


Article number
Ro0373

R18

3530 OSK

Cabinet size	400 mm
Depth	150 mm
Sink unit dimensions	300 x 352 mm
Total dimensions	350 x 398 mm

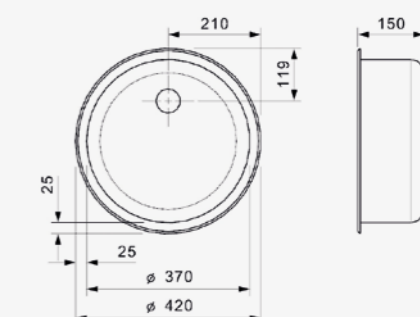


Article number
Ro0052

R18

370 OSP

Cabinet size	450 mm
Depth	150 mm
Sink unit dimensions	370 mm
Total dimensions	420 mm



INSET

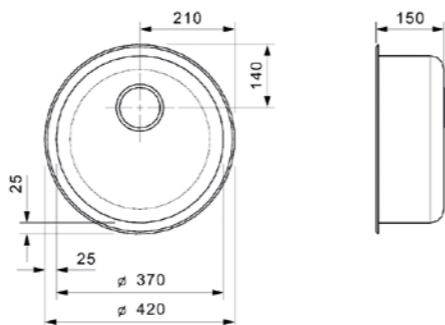
INSTALLATION INSET-MOUNTED ROUND OR SQUARE SINKS.



R18
370 OKG
 Cabinet size 450 mm
 Depth 150 mm
 Sink unit dimensions 370 mm
 Total dimensions 420 mm



Popup R22276 available separately



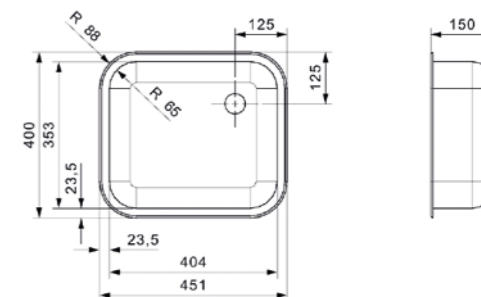
Article number
R00311



R18
4035 OSK
 Cabinet size 450 mm
 Depth 150 mm
 Sink unit dimensions 404 x 353 mm
 Total dimensions 451 x 400 mm



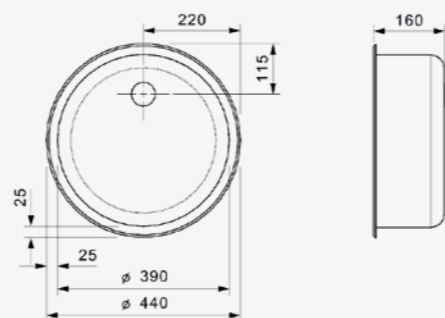
Article number
R00359



R18
390 OSK
 Cabinet size 450 mm
 Depth 160 mm
 Sink unit dimensions 390 mm
 Total dimensions 440 mm



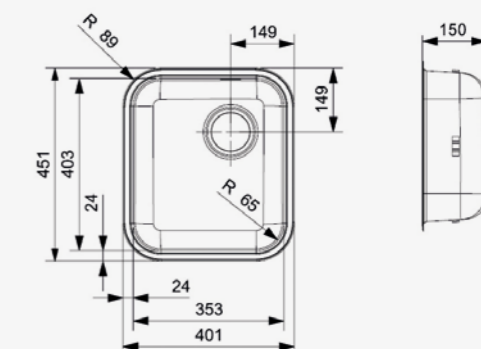
Article number
R00731



R18
4035 OKG WOKZ
 Cabinet size 450 mm
 Depth 150 mm
 Sink unit dimensions 353 x 403 mm
 Total dimensions 401 x 451 mm



Article number
R14288



Popup R22276 available separately

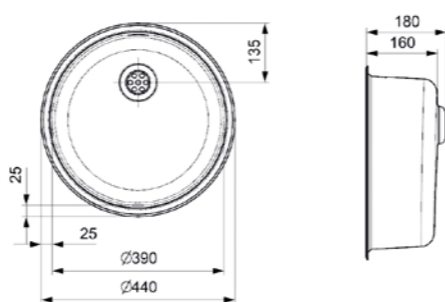


R18
390 COMFORT
 Cabinet size 450 mm
 Depth 160 mm
 Sink unit dimensions 390 mm
 Total dimensions 440 mm



Popup R35085 available separately
 Comfort plug

Article number
R26168

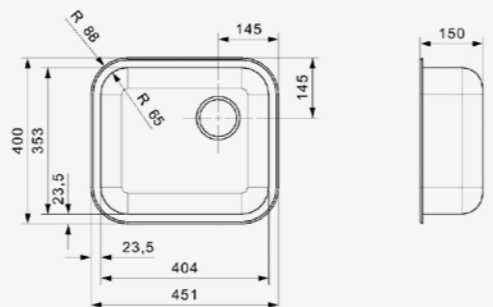


R18
4035 OKG
 Cabinet size 450 mm
 Depth 150 mm
 Sink unit dimensions 404 x 353 mm
 Total dimensions 451 x 400 mm



Popup R22276 available separately

Article number
R00991



Made out
of the best
steel



Clean & Care sinks

These include dentists, hospitals, medical practices, bars, discos, restaurants, public toilets, petrol stations and large office buildings.

With the Clean and Care sink units, hygiene and practicality are our top priorities. As many of our Clean and Care units are produced without an overflow and varying plug options, our models can be produced using 304 stainless steel as standard or (several models are available) in 316 stainless steel. By using the 316 grade these sinks can come into contact with chlorine or corrosive acids, such as in science labs. The sinks are coated with molybdenum, a silvery-white metal that is very ductile and has a very high melting point.



EVERYTHING IS ABOUT HYGIENE

THE CLEAN AND CARE COLLECTION HAS BEEN ESPECIALLY DESIGNED BY REGINOX FOR ENVIRONMENTS WHERE STAINLESS STEEL SINKS ARE MANDATORY.



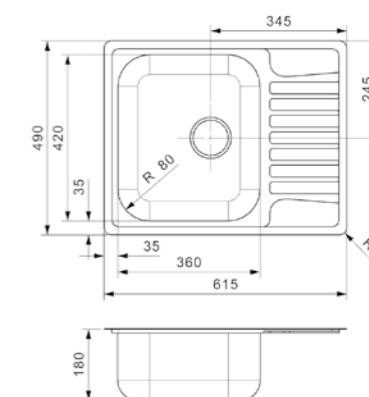
Article number
R25444

ADMIRAL 40 (L) KG-CC (304)

Cabinet size 500 mm
Depth 180 mm
Sink unit dimensions 360 x 420 mm
Total dimensions 615 x 490 mm



Standpipe R26434 available separately
Sink is without overflow

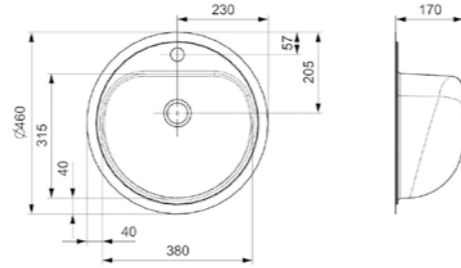




ATLANTIS L

SP-CC (304)

Cabinet size 450 mm
 Depth 170 mm
 Sink unit dimensions 380 x 315 mm
 Total dimensions 460 mm



Article number
R14783

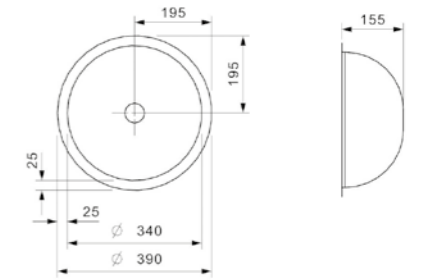
Sink is without overflow | Including tap hole
 Not suitable for standpipe



CARIBBEAN

CC (304)

Cabinet size 400 mm
 Depth 155 mm
 Sink unit dimensions 340 mm
 Total dimensions 390 mm



Article number
R22207

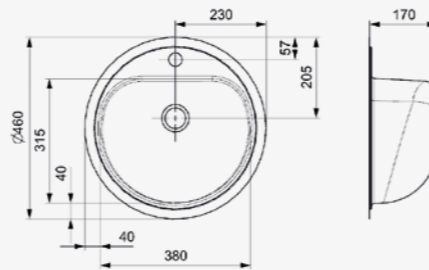
Sink is without overflow | Not suitable for standpipe



ATLANTIS

SP-CC (316)

Cabinet size 450 mm
 Depth 170 mm
 Sink unit dimensions 380 x 315 mm
 Total dimensions 460 mm



Article number
R25451

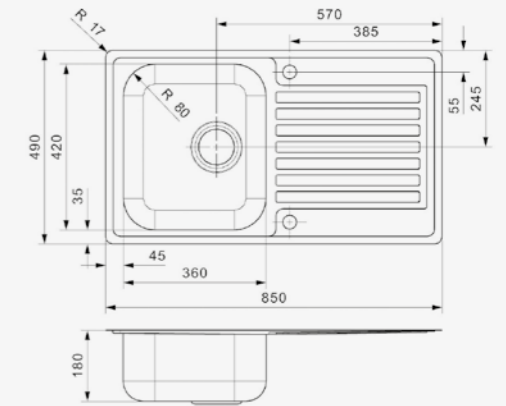
Sink is without overflow | Including tap hole | Resistant to chlorine and corrosive acids | Not suitable for standpipe



CENTURIO

L 10 - CC (304)

Cabinet size 500 mm
 Depth 180 mm
 Sink unit dimensions 360 x 420 mm
 Total dimensions 850 x 490 mm



Article number
R24065

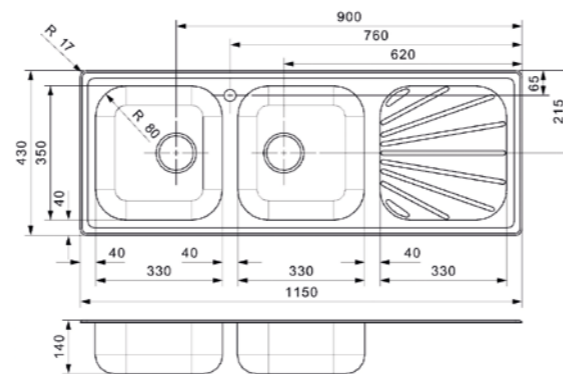
Standpipe R26434 available separately
 Sink is without overflow



BETA 30

KG-CC (304)

Cabinet size 800 mm
 Depth 140 + 140 mm
 Sink unit dimensions 330 x 350 + 330 x 350 mm
 Total dimensions 1150 x 430 mm



Article number
R26861

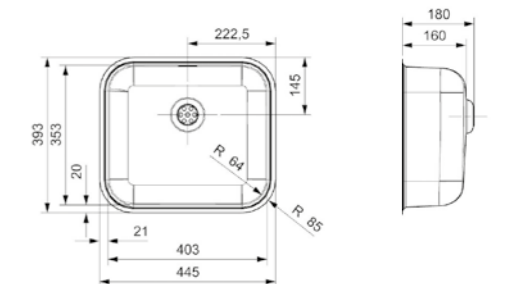
Standpipe R26434 available separately
 Sink is without overflow



COLORADO

L KG-CC (304)

Cabinet size 450 mm
 Depth 160 mm
 Sink unit dimensions 403 x 353 mm
 Total dimensions 445 x 393 mm



Article number
R24324

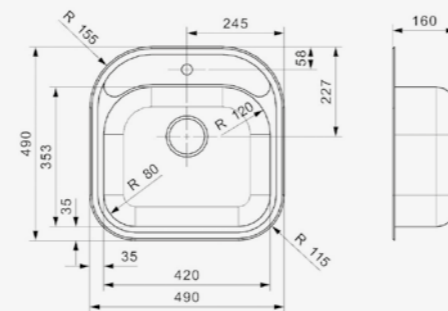
Sink is without overflow | Not suitable for standpipe



BOSTON

KG-CC (304)

Cabinet size 600 mm
 Depth 160 mm
 Sink unit dimensions 420 x 353 mm
 Total dimensions 490 x 490 mm



Article number
R23563

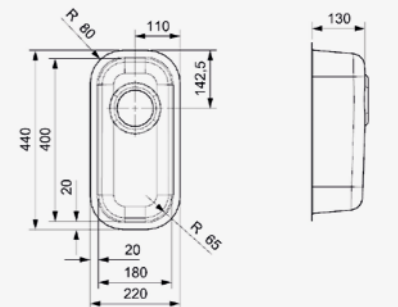
Standpipe R26434 available separately
 Sink is without overflow



IB

1840-CC (304)

Cabinet size 400 mm
 Depth 130 mm
 Sink unit dimensions 180 x 400 mm
 Total dimensions 220 x 440 mm



Article number
R23594

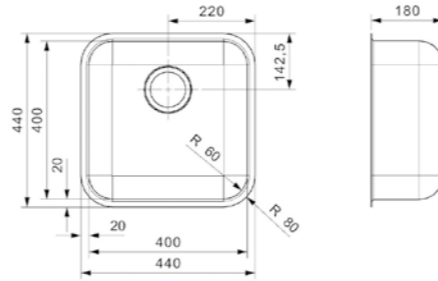
Standpipe R26434 available separately
 Sink is without overflow



IB

4040-CC (316)

Cabinet size 500 mm
 Depth 180 mm
 Sink unit dimensions 400 x 400 mm
 Total dimensions 440 x 440 mm



Article number
R23228

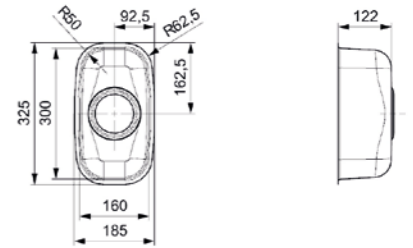
Standpipe R26434 available separately | Sink is without overflow
 Resistant to chlorine and corrosive acids



L18

3016 KG (304)

Cabinet size 400 mm
 Depth 122 mm
 Sink unit dimensions 160 x 300 mm
 Total dimensions 185 x 325 mm



Article number
R02056

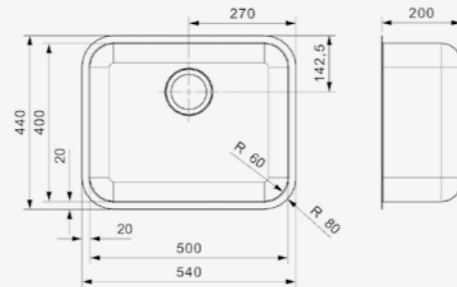
Standpipe R26434 available separately | Sink is without overflow



IB

5040-CC (316)

Cabinet size 600 mm
 Depth 200 mm
 Sink unit dimensions 500 x 400 mm
 Total dimensions 540 x 440 mm



Article number
R23235

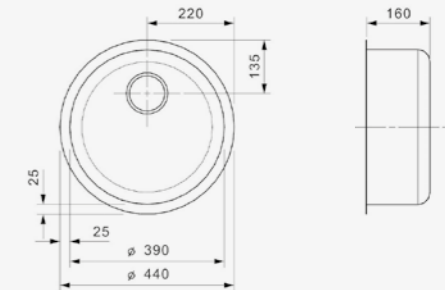
Standpipe R26434 available separately | Sink is without overflow
 Resistant to chlorine and corrosive acids



L18

390 KG-CC (304)

Cabinet size 450 mm
 Depth 160 mm
 Sink unit dimensions 390 mm
 Total dimensions 440 mm



Article number
R14417

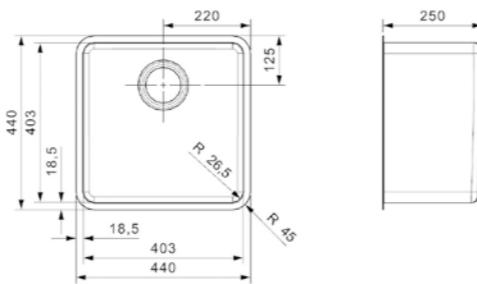
Standpipe R26434 available separately | Sink is without overflow



KANSAS

40X40 KG-CC (304)

Cabinet size 500 mm
 Depth 250 mm
 Sink unit dimensions 403 x 403 mm
 Total dimensions 440 x 440 mm



Article number
R23617

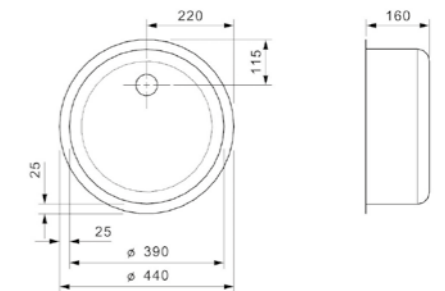
Standpipe R26434 available separately | Sink is without overflow



L18

390 VP-CC (304)

Cabinet size 450 mm
 Depth 160 mm
 Sink unit dimensions 390 mm
 Total dimensions 440 mm



Article number
R14387

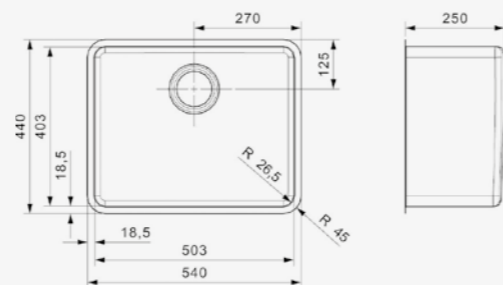
Standpipe R20234 available separately | Sink is without overflow



KANSAS

50X40 KG-CC (304)

Cabinet size 600 mm
 Depth 250 mm
 Sink unit dimensions 503 x 403 mm
 Total dimensions 540 x 440 mm



Article number
R23518

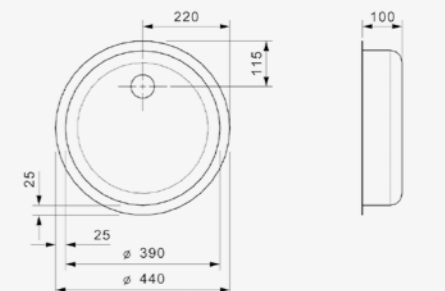
Standpipe R26434 available separately | Sink is without overflow



L18

390 VP-CC (304) 10 CM DEEP

Cabinet size 450 mm
 Depth 100 mm
 Sink unit dimensions 390 mm
 Total dimensions 440 mm



Article number
R25635

10 cm deep sink, specially for standpipe
 Standpipe R33821 available separately | Sink is without overflow

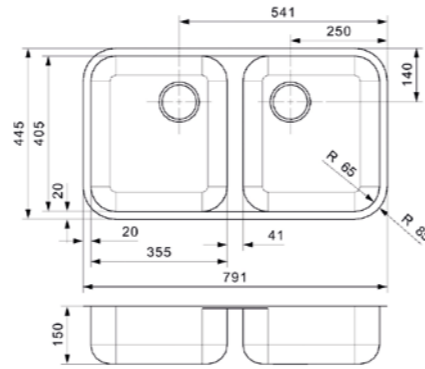


L18
35D40 KGKG-CC (304)
 Cabinet size 800 mm
 Depth 150 + 150 mm
 Sink unit dimensions 355 x 405 + 355 x 405 mm
 Total dimensions 791 x 445 mm



Article number
R34989

Standpipe R26434 available separately
 Sink is without overflow

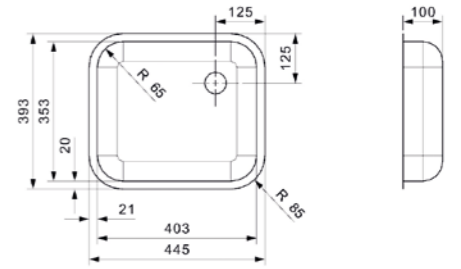


L18
4035 SK 10 CM DEEP (304)
 Cabinet size 450 mm
 Depth 100 mm
 Sink unit dimensions 403 x 353 mm
 Total dimensions 445 x 393 mm



Article number
R32060

Standpipe R33821 available separately | Sink is without overflow

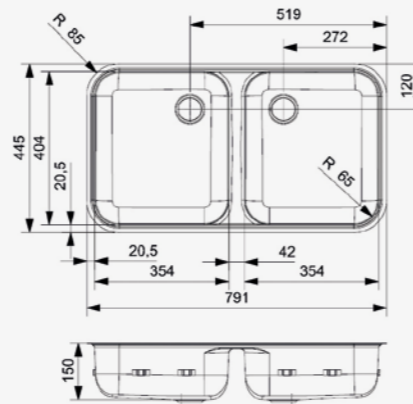


L18
35D40 VPVP-CC (304)
 Cabinet size 800 mm
 Depth 150 + 150 mm
 Sink unit dimensions 354 x 404 + 354 x 404 mm
 Total dimensions 791 x 445 mm



Article number
R14646

15 cm deep sink, specially for standpipe
 Standpipe R20234 available separately
 Sink is without overflow

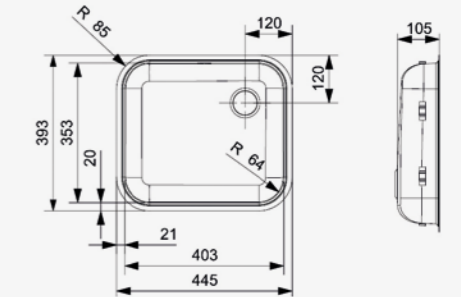


L18
4035 VP-CC 10 CM DEEP (304)
 Cabinet size 450 mm
 Depth 100 mm
 Sink unit dimensions 403 x 353 mm
 Total dimensions 445 x 393 mm



Article number
R20760

10 cm deep sink, specially for standpipe
 Standpipe R33821 available separately | Sink is without overflow

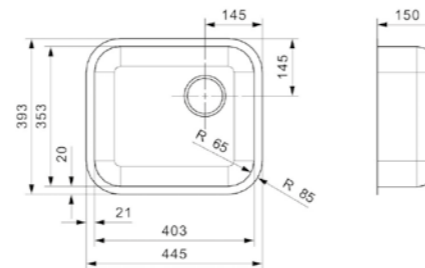


L18
4035 KG-CC (304)
 Cabinet size 450 mm
 Depth 150 mm
 Sink unit dimensions 403 x 353 mm
 Total dimensions 445 x 393 mm



Article number
R20753

Standpipe R26434 available separately
 Sink is without overflow

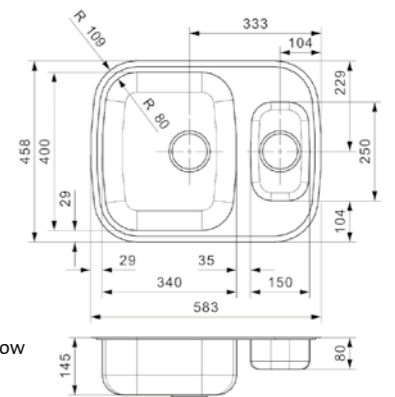


MORENA
KGKG (304)
 Cabinet size 600 mm
 Depth 145 + 80 mm
 Sink unit dimensions 340 x 400 + 150 x 250 mm
 Total dimensions 583 x 458 mm



Article number
R16534

Popup R22276 available separately
 Including stainless steel colander | Sink is without overflow
 Standpipe R26434 available separately

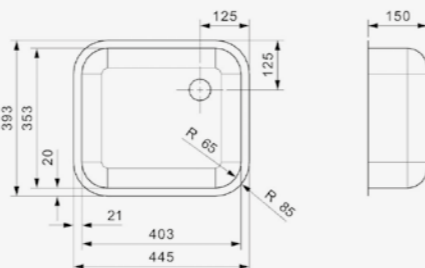


L18
4035 VP-CC (304)
 Cabinet size 450 mm
 Depth 150 mm
 Sink unit dimensions 403 x 353 mm
 Total dimensions 445 x 393 mm

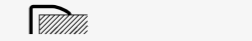


Article number
R14530

15 cm deep sink, specially for standpipe
 Standpipe R20234 available separately
 Sink is without overflow

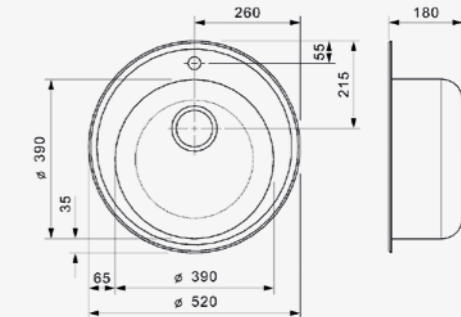


MOSCOW
KG-CC (304)
 Cabinet size 450 mm
 Depth 180 mm
 Sink unit dimensions 390 mm
 Total dimensions 520 mm



Article number
R02810

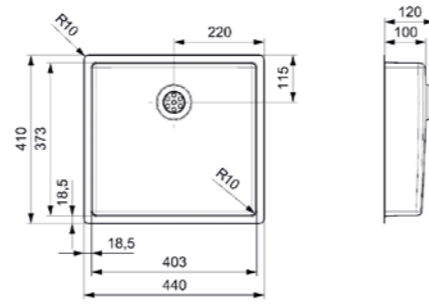
Standpipe R26434 available separately
 Sink is without overflow





NEW JERSEY 40X37
KG-CC 10 CM DEEP (304)

Cabinet size	500 mm
Depth	100 mm
Sink unit dimensions	403 x 373 mm
Total dimensions	440 x 410 mm



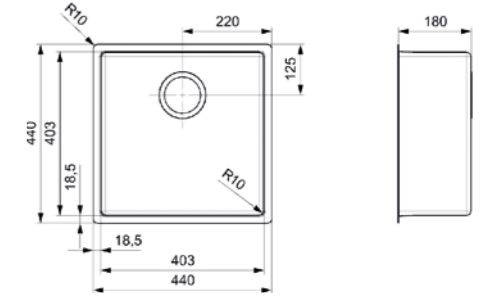
Article number
R34736

Sink is without overflow | Not suitable for standpipe



NEW YORK
40X40 KG-CC (304)

Cabinet size	500 mm
Depth	180 mm
Sink unit dimensions	403 x 403 mm
Total dimensions	440 x 440 mm



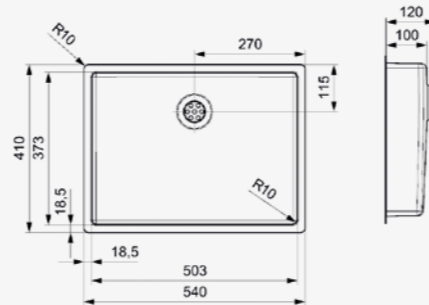
Article number
R34859

Standpipe R26434 available separately | Sink is without overflow



NEW JERSEY 50X37
KG-CC 10 CM DEEP (304)

Cabinet size	600 mm
Depth	100 mm
Sink unit dimensions	503 x 373 mm
Total dimensions	540 x 410 mm



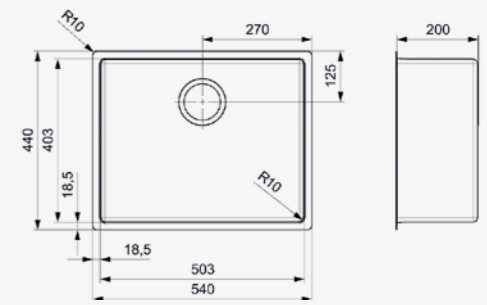
Article number
R34743

Sink is without overflow | Not suitable for standpipe



NEW YORK
50X40 KG-CC (304)

Cabinet size	600 mm
Depth	200 mm
Sink unit dimensions	503 x 403 mm
Total dimensions	540 x 440 mm



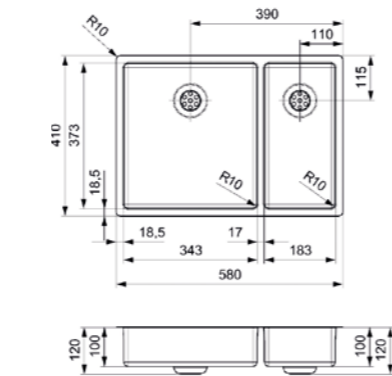
Article number
R34231

Standpipe R26434 available separately | Sink is without overflow



NEW JERSEY 34X37+18X37
KG-CC 10 CM DEEP (304)

Cabinet size	600 mm
Depth	100 + 100 mm
Sink unit dimensions	343 x 373 + 183 x 373 mm
Total dimensions	580 x 410 mm



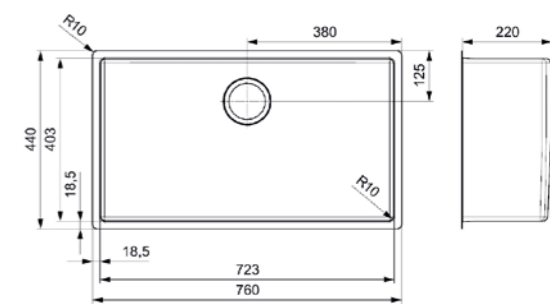
Article number
R34750

Sink is without overflow | Not suitable for standpipe



NEW YORK
72X40 KG-CC (304)

Cabinet size	800 mm
Depth	220 mm
Sink unit dimensions	723 x 403 mm
Total dimensions	760 x 440 mm



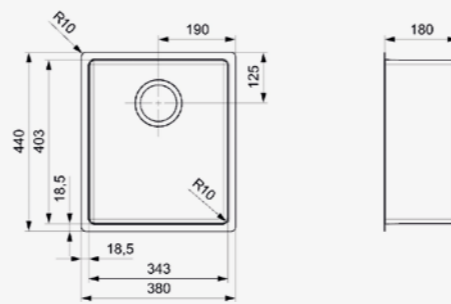
Article number
R34460

Standpipe R26434 available separately | Sink is without overflow



NEW YORK
34X40 KG-CC (304)

Cabinet size	450 mm
Depth	180 mm
Sink unit dimensions	343 x 403 mm
Total dimensions	380 x 440 mm



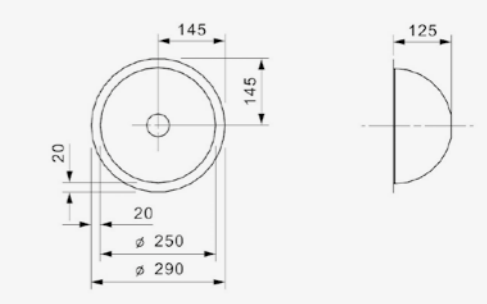
Article number
R34224

Standpipe R26434 available separately | Sink is without overflow



RIO
CC (304)

Cabinet size	300 mm
Depth	125 mm
Sink unit dimensions	250 mm
Total dimensions	290 mm



Article number
R00724

Sink is without overflow | Not suitable for standpipe



AQUA LINE

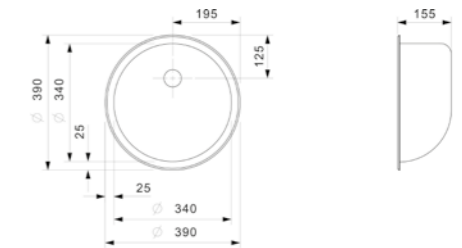
WASHBASIN UNITS

Our aqua line basins bring together all requirements related to durability and hygiene, due to our uninterrupted manufacturing process even the smallest dimensional tolerances are observed. The aqua line basins can be supplied with or without overflow and differing plug options for the upmost hygiene.



AMAZONE

Cabinet size 450 mm
 Depth 155 mm
 Sink unit dimensions 340 mm
 Total dimensions 390 mm



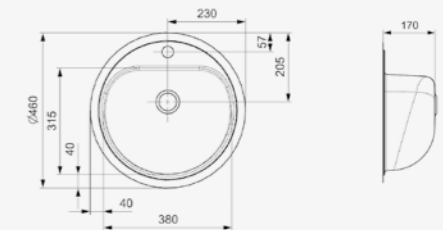
Not suitable for standpipe | Single polished

Article number
R00632



ATLANTIS

Cabinet size 450 mm
 Depth 170 mm
 Sink unit dimensions 380 x 315 mm
 Total dimensions 460 mm



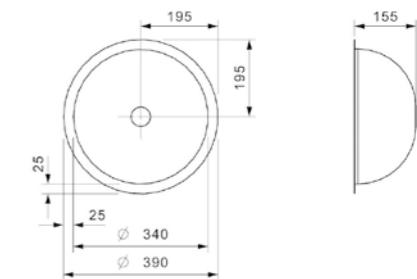
Not suitable for standpipe | Single polished

Article number
R03411



CARIBBEAN

Cabinet size 400 mm
 Depth 155 mm
 Sink unit dimensions 340 mm
 Total dimensions 390 mm



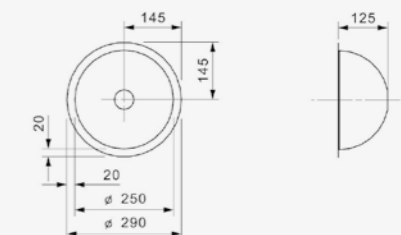
Excluding siphon | Not suitable for standpipe
 Single polished

Article number
R03473



RIO

Cabinet size 300 mm
 Depth 125 mm
 Sink unit dimensions 250 mm
 Total dimensions 290 mm



Excluding siphon | Not suitable for standpipe
 Single polished

Article number
R00472



This material is also very hygienic, easy to clean and maintain, meaning that they will look better for much longer than some other materials.



BLACK SILVERY



CAFFE SILVERY



GREY SILVERY



PURE WHITE



PURE BLACK

THE POWER OF GRANITE

OUR RANGE OF GRANITE SINKS ARE MADE FROM A POWERFUL COMBINATION OF GRANITE AND SYNTHETIC RESIN. WE HAVE FOUR RANGES AVAILABLE, AMSTERDAM, HARLEM, BREDA AND TEXEL, IN A TOTAL OF 20 MODELS AND 5 COLOURS: PURE WHITE, BLACK SILVERY, GREY SILVERY, CAFFE SILVERY AND PURE BLACK.

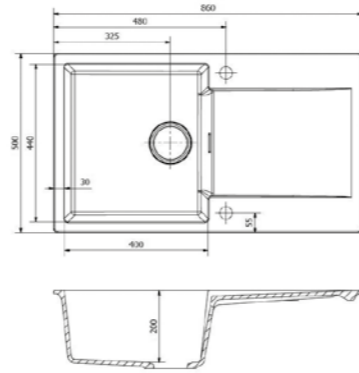


Available in
20 models and
5 colours



AMSTERDAM 10
BLACK SILVERY

Cabinet size 600 mm
Depth 200 mm
Sink unit dimensions 400 x 440 mm
Total dimensions 860 x 500 mm



- Hygienic, easy to clean and maintain
- Reversible

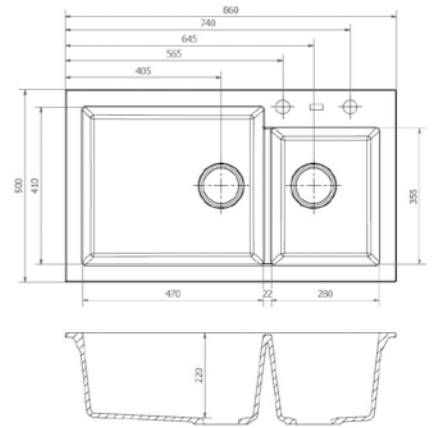


- BLACK SILVERY **R30929**
- CAFFE SILVERY **R30943**
- GREY SILVERY **R30936**
- PURE WHITE **R30912**



AMSTERDAM 25
PURE WHITE

Cabinet size 900 mm
Depth 220 + 220 mm
Sink unit dimensions 470 x 410 + 280 x 355 mm
Total dimensions 860 x 500 mm



- Hygienic, easy to clean and maintain
- PopUp R32619 available separately
- Including two tap holes

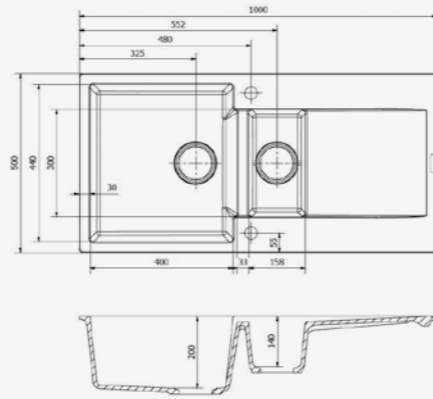


- BLACK SILVERY **R31087**
- CAFFE SILVERY **R31100**
- GREY SILVERY **R31094**
- PURE WHITE **R3107**



AMSTERDAM 15
CAFFE SILVERY

Cabinet size 800 mm
Depth 200 + 140 mm
Sink unit dimensions 400 x 440 + 158 x 300 mm
Total dimensions 1000 x 500 mm



- Hygienic, easy to clean and maintain
- Reversible

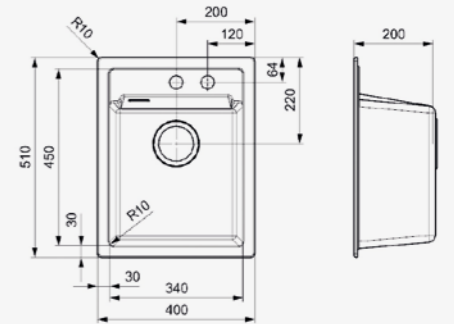


- BLACK SILVERY **R30967**
- CAFFE SILVERY **R30981**
- GREY SILVERY **R30974**
- PURE WHITE **R30950**



AMSTERDAM 34
BLACK SILVERY

Cabinet size 450 mm
Depth 200 mm
Sink unit dimensions 340 x 450 mm
Total dimensions 400 x 510 mm



- Hygienic, easy to clean and maintain
- Including tap hole

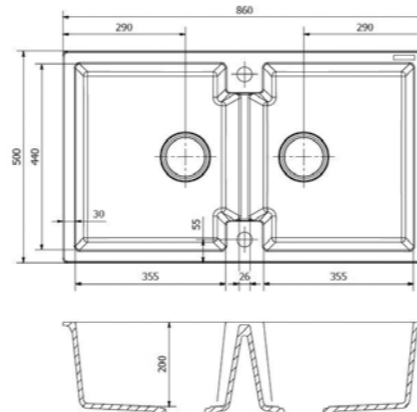


- BLACK SILVERY **R33531**
- CAFFE SILVERY **R33548**
- GREY SILVERY **R33562**
- PURE WHITE **R33579**



AMSTERDAM 20
GREY SILVERY

Cabinet size 900 mm
Depth 200 + 200 mm
Sink unit dimensions 355 x 440 + 355 x 440 mm
Total dimensions 860 x 500 mm



- Hygienic, easy to clean and maintain
- Reversible

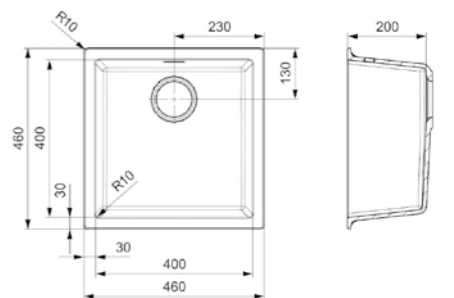


- BLACK SILVERY **R31001**
- CAFFE SILVERY **R31025**
- GREY SILVERY **R31018**
- PURE WHITE **R30998**



AMSTERDAM 40
CAFFE SILVERY

Cabinet size 500 mm
Depth 200 mm
Sink unit dimensions 400 x 400 mm
Total dimensions 460 x 460 mm



- Hygienic, easy to clean and maintain

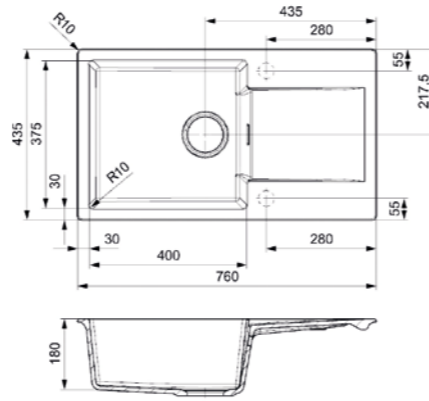


- PURE BLACK **R34637**
- BLACK SILVERY **R32312**
- CAFFE SILVERY **R32336**
- GREY SILVERY **R32329**
- PURE WHITE **R32305**



AMSTERDAM 43
GREY SILVERY

Cabinet size 600 mm
Depth 180 mm
Sink unit dimensions 400 x 375 mm
Total dimensions 760 x 435 mm



- Hygienic, easy to clean and maintain
- Reversible

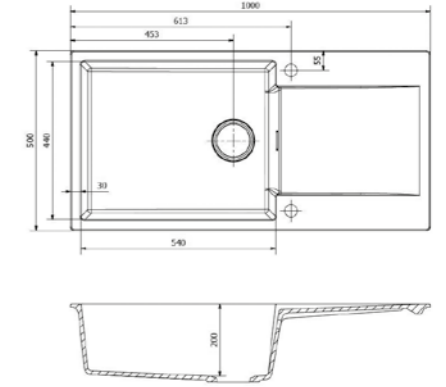


- BLACK SILVERY **R33463**
- CAFFE SILVERY **R33470**
- GREY SILVERY **R33494**
- PURE WHITE **R33500**



AMSTERDAM 540
CAFFE SILVERY

Cabinet size 600 mm
Depth 200 mm
Sink unit dimensions 540 x 440 mm
Total dimensions 1000 x 500 mm



- Hygienic, easy to clean and maintain
- Reversible

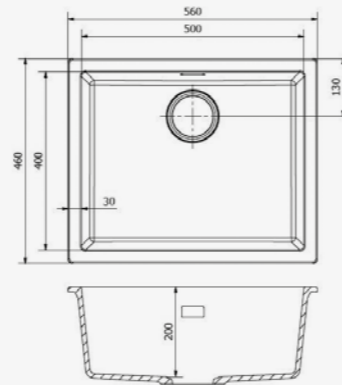


- BLACK SILVERY **R30806**
- CAFFE SILVERY **R30820**
- GREY SILVERY **R30813**
- PURE WHITE **R30790**



AMSTERDAM 50
PURE WHITE

Cabinet size 600 mm
Depth 200 mm
Sink unit dimensions 500 x 400 mm
Total dimensions 560 x 460 mm



- Hygienic, easy to clean and maintain

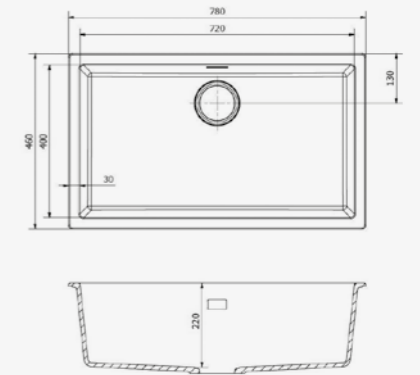


- PURE BLACK **R34644**
- BLACK SILVERY **R30844**
- CAFFE SILVERY **R30868**
- GREY SILVERY **R30851**
- PURE WHITE **R30837**



AMSTERDAM 72
GREY SILVERY

Cabinet size 800 mm
Depth 220 mm
Sink unit dimensions 720 x 400 mm
Total dimensions 780 x 460 mm



- Hygienic, easy to clean and maintain

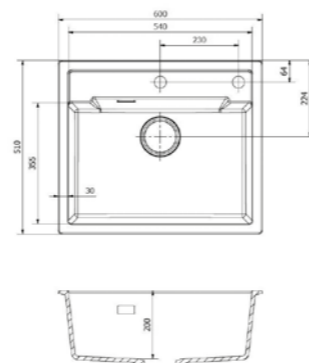


- PURE BLACK **R35818**
- BLACK SILVERY **R30882**
- CAFFE SILVERY **R30905**
- GREY SILVERY **R30899**
- PURE WHITE **R30875**



AMSTERDAM 54
BLACK SILVERY TAPWING

Cabinet size 600 mm
Depth 200 mm
Sink unit dimensions 540 x 355 mm
Total dimensions 600 x 510 mm



- Hygienic, easy to clean and maintain
- Including tap hole

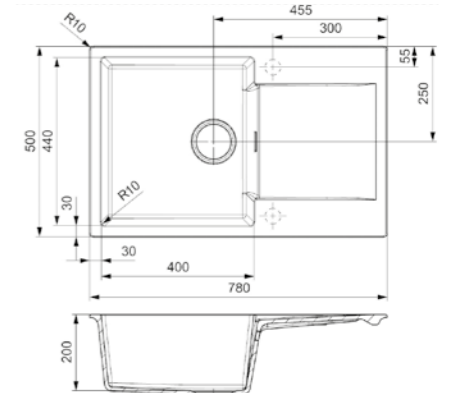


- BLACK SILVERY **R31049**
- CAFFE SILVERY **R31063**
- GREY SILVERY **R31056**
- PURE WHITE **R31032**



AMSTERDAM 78
PURE WHITE

Cabinet size 600 mm
Depth 200 mm
Sink unit dimensions 400 x 440 mm
Total dimensions 780 x 500 mm



- Hygienic, easy to clean and maintain
- Reversible

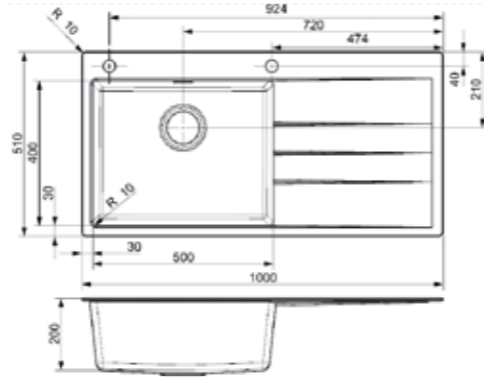


- BLACK SILVERY **R32756**
- CAFFE SILVERY **R32770**
- GREY SILVERY **R32763**
- PURE WHITE **R32749**



BREDA 10
BLACK SILVERY - LEFT
 Cabinet size 600 mm
 Depth 200 mm
 Sink unit dimensions 500 x 400 mm
 Total dimensions 1000 x 510 mm

· Hygienic, easy to clean and maintain



● BLACK SILVERY
R33586

● CAFFE SILVERY
R33593

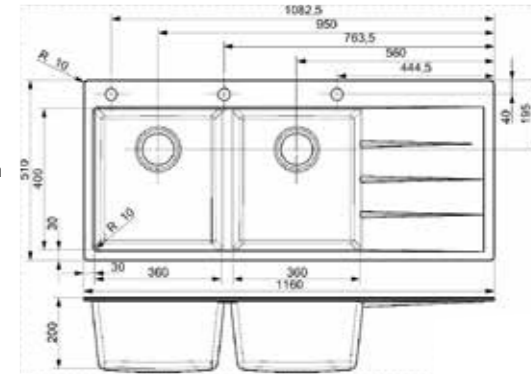
● GREY SILVERY
R33616

○ PURE WHITE
R33623



BREDA 30
PURE WHITE - LEFT
 Cabinet size 900 mm
 Depth 200 + 200 mm
 Sink unit dimensions 360 x 400 + 360 x 400 mm
 Total dimensions 1160 x 510 mm

· Hygienic, easy to clean and maintain



● BLACK SILVERY
R33739

● CAFFE SILVERY
R33746

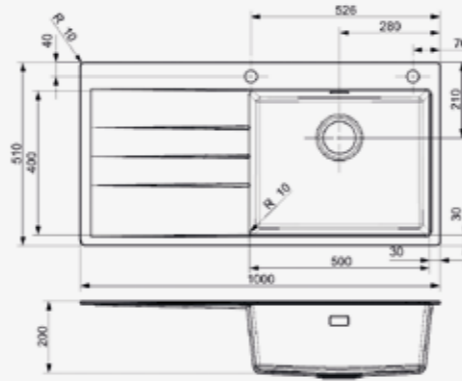
● GREY SILVERY
R33760

○ PURE WHITE
R33777



BREDA 10
CAFFE SILVERY - RIGHT
 Cabinet size 600 mm
 Depth 200 mm
 Sink unit dimensions 500 x 400 mm
 Total dimensions 1000 x 510 mm

· Hygienic, easy to clean and maintain



● BLACK SILVERY
R33630

● CAFFE SILVERY
R33647

● GREY SILVERY
R33661

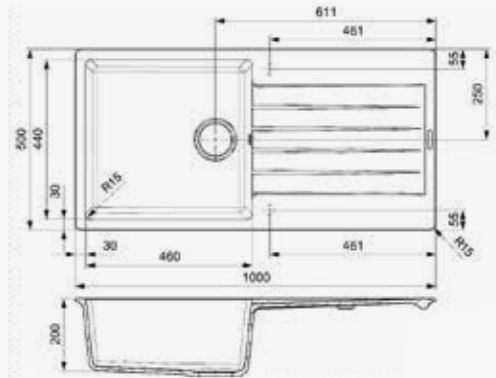
○ PURE WHITE
R33678



HARLEM 10
BLACK SILVERY
 Cabinet size 600 mm
 Depth 200 mm
 Sink unit dimensions 460 x 440 mm
 Total dimensions 1000 x 500 mm

· Hygienic, easy to clean and maintain

· Reversible



● BLACK SILVERY
R31254

● CAFFE SILVERY
R31278

● GREY SILVERY
R31261

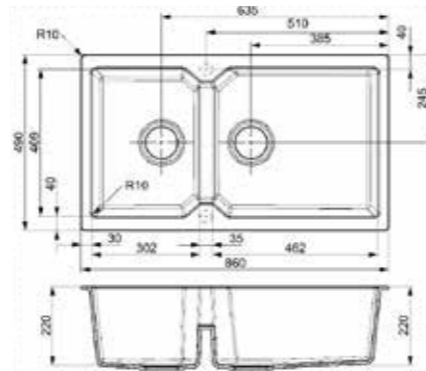
○ PURE WHITE
R31247



BREDA 20
GREY SILVERY
 Cabinet size 900 mm
 Depth 220 + 220 mm
 Sink unit dimensions 302 x 409 + 462 x 409 mm
 Total dimensions 860 x 490 mm

· Hygienic, easy to clean and maintain

· Reversible



● BLACK SILVERY
R33685

● CAFFE SILVERY
R33692

● GREY SILVERY
R33715

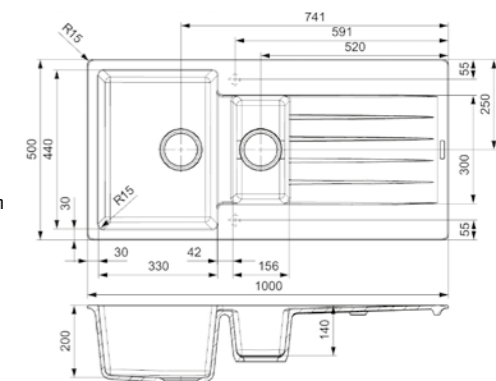
○ PURE WHITE
R33722



HARLEM 15
CAFFE SILVERY
 Cabinet size 600 mm
 Depth 200 + 140 mm
 Sink unit dimensions 330 x 440 + 156 x 300 mm
 Total dimensions 1000 x 500 mm

· Hygienic, easy to clean and maintain

· Reversible



● BLACK SILVERY
R31292

● CAFFE SILVERY
R31315

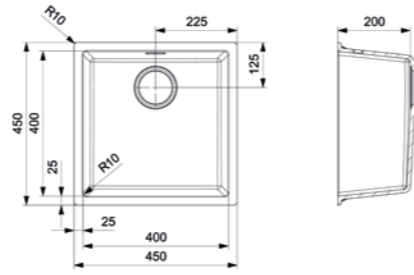
● GREY SILVERY
R31308

○ PURE WHITE
R31285



TEHEL 40
PURE BLACK

Cabinet size 500 mm
Depth 200 mm
Sink unit dimensions 400 x 400 mm
Total dimensions 450 x 450 mm



• Hygienic, easy to clean and maintain



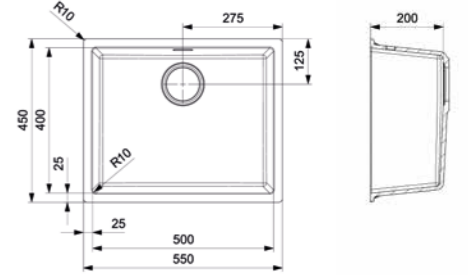
PURE BLACK
R34651

BLACK SILVERY
R34040



TEHEL 50
BLACK SILVERY

Cabinet size 600 mm
Depth 200 mm
Sink unit dimensions 500 x 400 mm
Total dimensions 550 x 450 mm



• Hygienic, easy to clean and maintain



PURE BLACK
R34668

BLACK SILVERY
R34057



Range:
Amsterdam, Breda,
Harlem and Texel





These sinks are made in fireclay ovens meaning they are superior in strength and have a high glossy finish. Due to this manufacturing process these sinks do have a tolerance either way. Our ceramic range has a range of variety from inset sinks with a drainer to undermount sinks without drainer.

WHERE TRADITIONAL MEETS
CONTEMPORARY
REGI-CERAMIC

OUR CERAMIC SINKS ARE A CONTEMPORARY ALTERNATIVE TO OTHER MATERIALS IN OUR RANGE AND CAN BE AN EFFECTIVE FEATURE PIECE IN ANY KITCHEN.



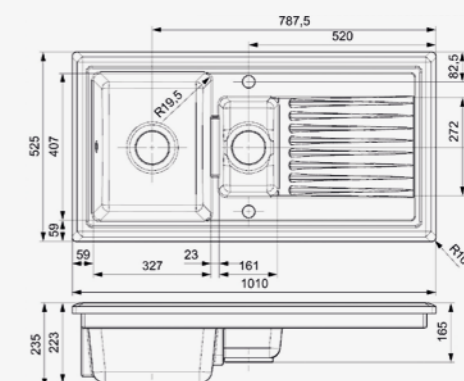
Article number
R23884

RL301 CW

Cabinet size 600 mm
Depth 223 + 165 mm
Sink unit dimensions 327 x 407 + 161 x 272 mm
Total dimensions 1010 x 525 mm



Partially prepared tap holes | Reversible



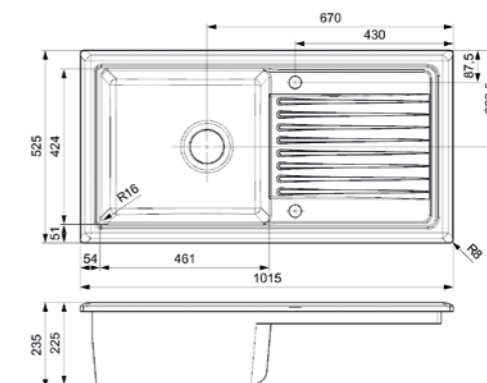
Article number
R23907

RL304 CW

Cabinet size 600 mm
Depth 225 mm
Sink unit dimensions 461 x 424 mm
Total dimensions 1015 x 525 mm



Partially prepared tap holes | Reversible



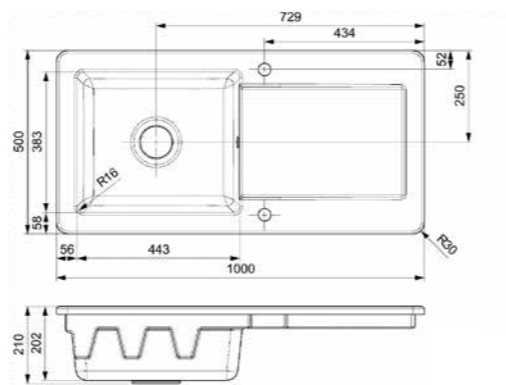


RL504 CW

Cabinet size 600 mm
Depth 202 mm
Sink unit dimensions 443 x 383 mm
Total dimensions 1000 x 500 mm



Partially prepared tap holes | Reversible

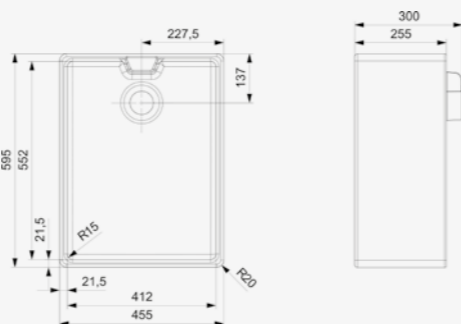


Article number
R25543



BELFAST

Cabinet size 600 mm
Depth 255 mm
Sink unit dimensions 412 x 552 mm
Total dimensions 455 x 595 mm

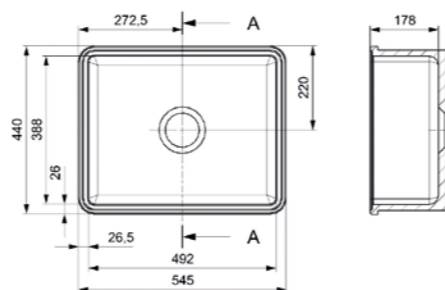


Article number
R26809



MATARO

Cabinet size 600 mm
Depth 178 mm
Sink unit dimensions 492 x 388 mm
Total dimensions 545 x 440 mm



Article number
R28209





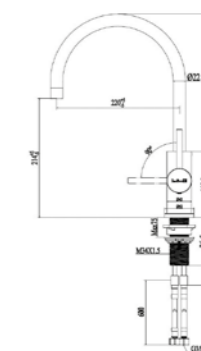
KITCHEN TAPS

Swivel range of the taps is **360°**



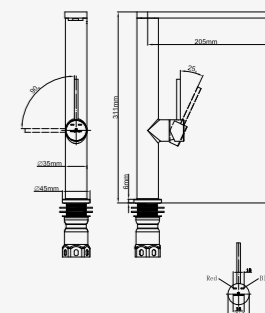
SPRING
STAINLESS STEEL
Article number **R31780**

Brushed stainless steel
Single-handle tap



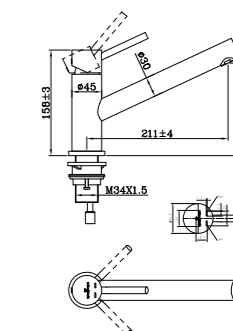
KELSO
STAINLESS STEEL
Article number **R34590**

Brushed stainless steel
Single-handle tap



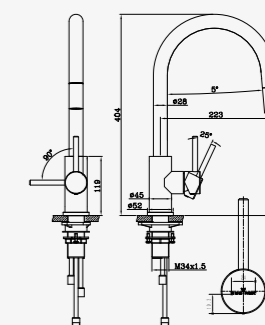
OXON
STAINLESS STEEL
Article number **R34606**

Brushed stainless steel
Single-handle tap



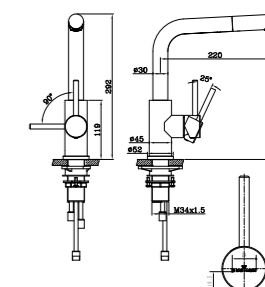
HURON
STAINLESS STEEL
Article number **R34576**

Brushed stainless steel
Single-handle tap
Pull-out possibility



PALM
STAINLESS STEEL
Article number **R34583**

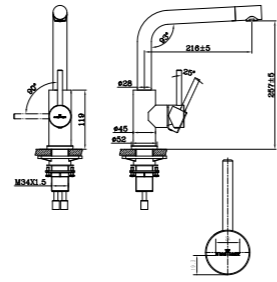
Brushed stainless steel
Single-handle tap
Pull-out possibility





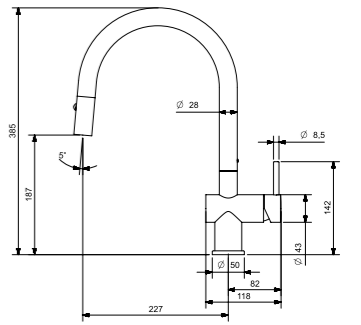
SOMO
STAINLESS STEEL
Article number **R34569**

Brushed stainless steel
Single-handle tap



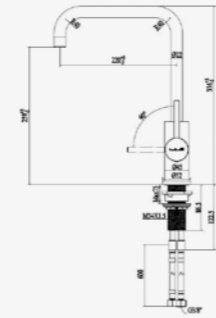
FLINT
COPPER ROSE
Article number **R36006**

Brass | Single-handle tap | Pull-out possibility
PVD-technic, suitable for New York PVD range



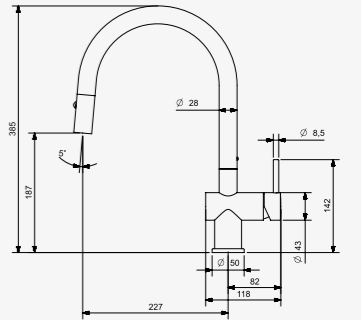
LOGAN
STAINLESS STEEL
Article number **R31797**

Brushed stainless steel
Single-handle tap



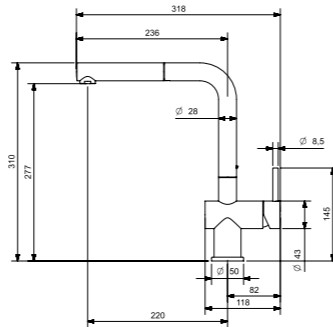
FLINT
GOLD FLAX
Article number **R36013**

Brass | Single-handle tap | Pull-out possibility
PVD-technic, suitable for New York PVD range



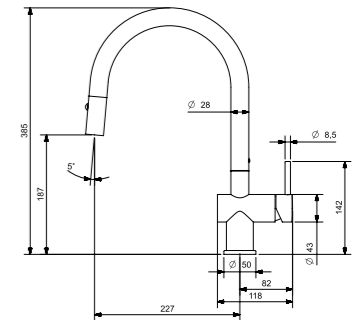
CEDAR
COPPER ROSE
Article number **R35979**

Brass | Single-handle tap | Pull-out possibility
PVD-technic, suitable for New York PVD range



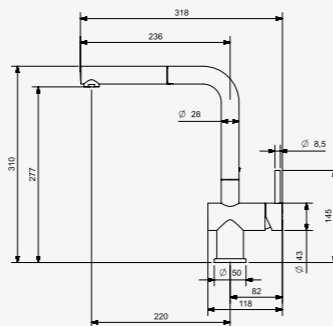
FLINT
GUN METAL SILVER
Article number **R35993**

Brass | Single-handle tap | Pull-out possibility
PVD-technic, suitable for New York PVD range



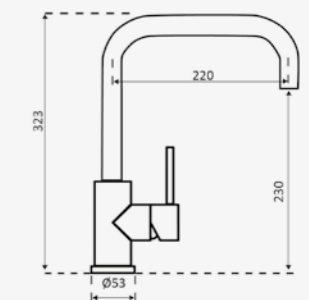
CEDAR
GOLD FLAX
Article number **R35986**

Brass | Single-handle tap | Pull-out possibility
PVD-technic, suitable for New York PVD range



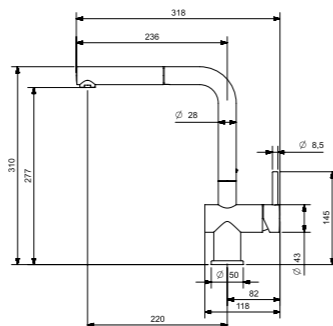
CRYSTAL
COPPER
Article number **R30523**

Brushed stainless steel | Single-handle tap
PVD-technic, suitable for Miami range



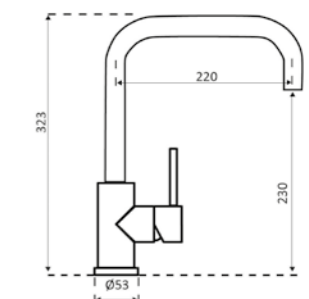
CEDAR
GUN METAL SILVER
Article number **R35962**

Brass | Single-handle tap | Pull-out possibility
PVD-technic, suitable for New York PVD range



CRYSTAL
GOLD
Article number **R30530**

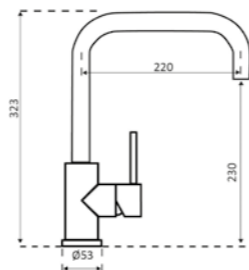
Brushed stainless steel | Single-handle tap
PVD-technic, suitable for Miami range





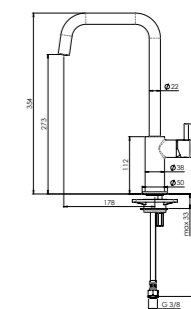
CRYSTAL
GUN METAL
Article number **R30516**

Brushed stainless steel | Single-handle tap
PVD-technic, suitable for Miami range



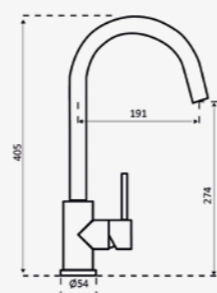
LEON
COPPER ROSE
Article number **R35269**

Brass | Single-handle tap
PVD-technic, suitable for New York PVD range



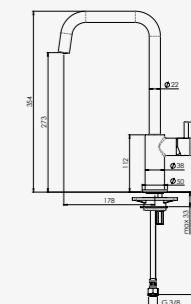
CANO
COPPER
Article number **R30493**

Brushed stainless steel | Single-handle tap
PVD-technic, suitable for Miami range



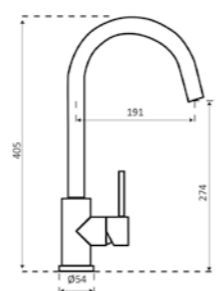
LEON
GOLD FLAX
Article number **R35276**

Brass | Single-handle tap
PVD-technic, suitable for New York PVD range



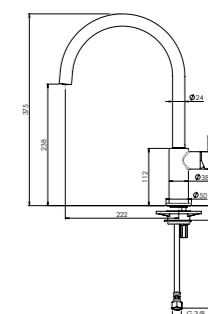
CANO
GOLD
Article number **R30509**

Brushed stainless steel | Single-handle tap
PVD-technic, suitable for Miami range



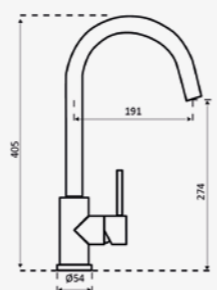
LEVISA
GUN METAL SILVER
Article number **R35283**

Brass | Single-handle tap
PVD-technic, suitable for New York PVD range



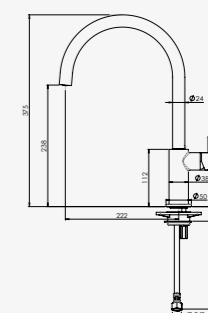
CANO
GUN METAL
Article number **R30486**

Brushed stainless steel | Single-handle tap
PVD-technic, suitable for Miami range



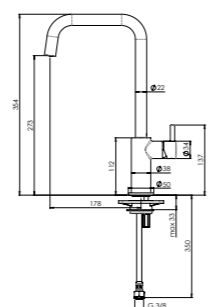
LEVISA
COPPER ROSE
Article number **R35290**

Brass | Single-handle tap
PVD-technic, suitable for New York PVD range



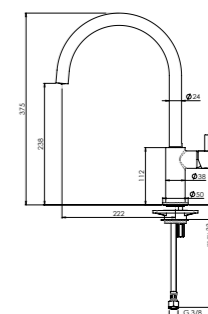
LEON
GUN METAL SILVER
Article number **R35252**

Brass | Single-handle tap
PVD-technic, suitable for New York PVD range



LEVISA
GOLD FLAX
Article number **R35306**

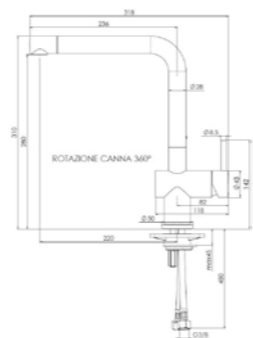
Brass | Single-handle tap
PVD-technic, suitable for New York PVD range





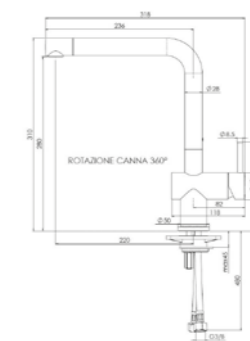
YADKIN
BLACK
Article number **R31681**

Single-handle tap



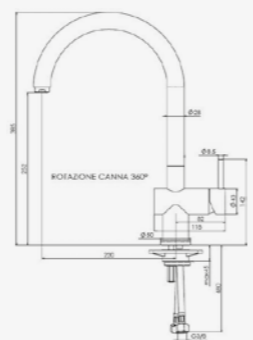
YADKIN
WHITE
Article number **R34767**

Single-handle tap



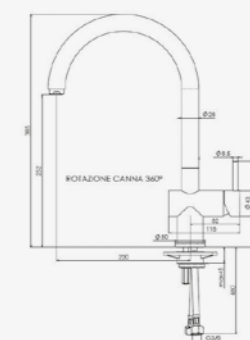
YAMPA
BLACK
Article number **R31704**

Single-handle tap



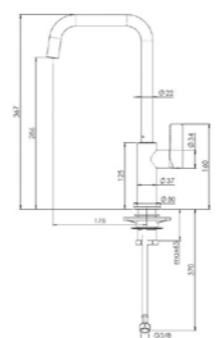
YAMPA
WHITE
Article number **R34781**

Single-handle tap



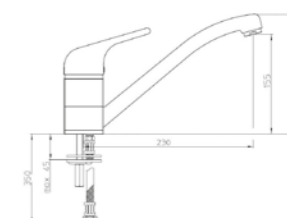
PEARL
BLACK
Article number **R32800**

Single-handle tap



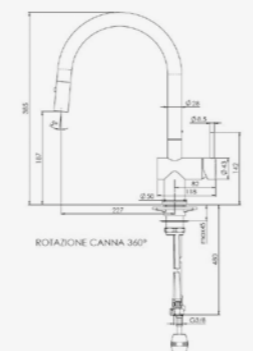
ELA
CHROME
Article number **R31599**

Chrome
Single-handle tap



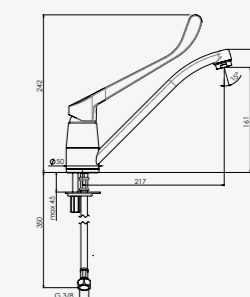
FLINT
BLACK CHROME
Article number **R31667**

Single-handle tap
Pull-out possibility



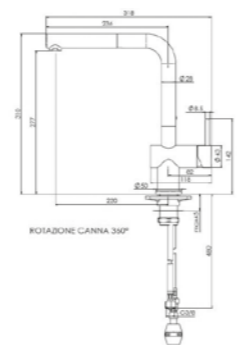
CHENA
CHROME
Article number **R35238**

Chrome
Elbow tap



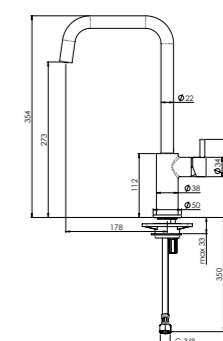
CEDAR
BLACK
Article number **R31643**

Single-handle tap
Pull-out possibility



LEON
CHROME
Article number **R31612**

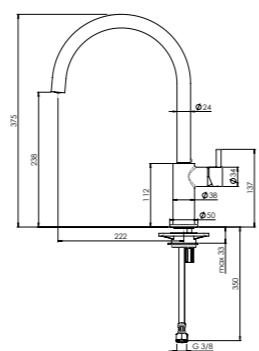
Single-handle tap





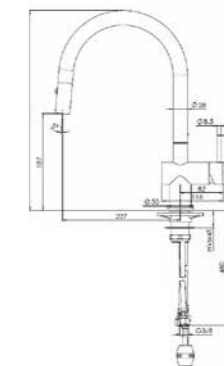
LEVISA
CHROME
Article number **R31629**

Single-handle tap



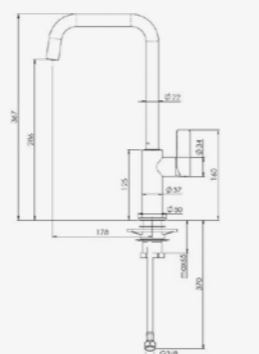
FLINT
CHROME
Article number **R31650**

Single-handle tap
Pull-out possibility



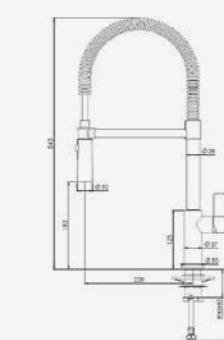
PEARL
CHROME
Article number **R31568**

Single-handle tap



YUKON
CHROME
Article number **R31582**

Single-handle tap
Pull-out possibility



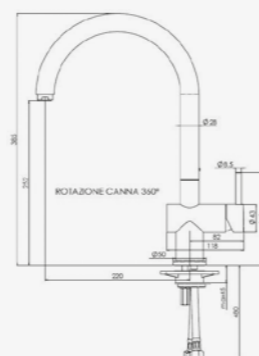
YADKIN
CHROME
Article number **R31674**

Single-handle tap



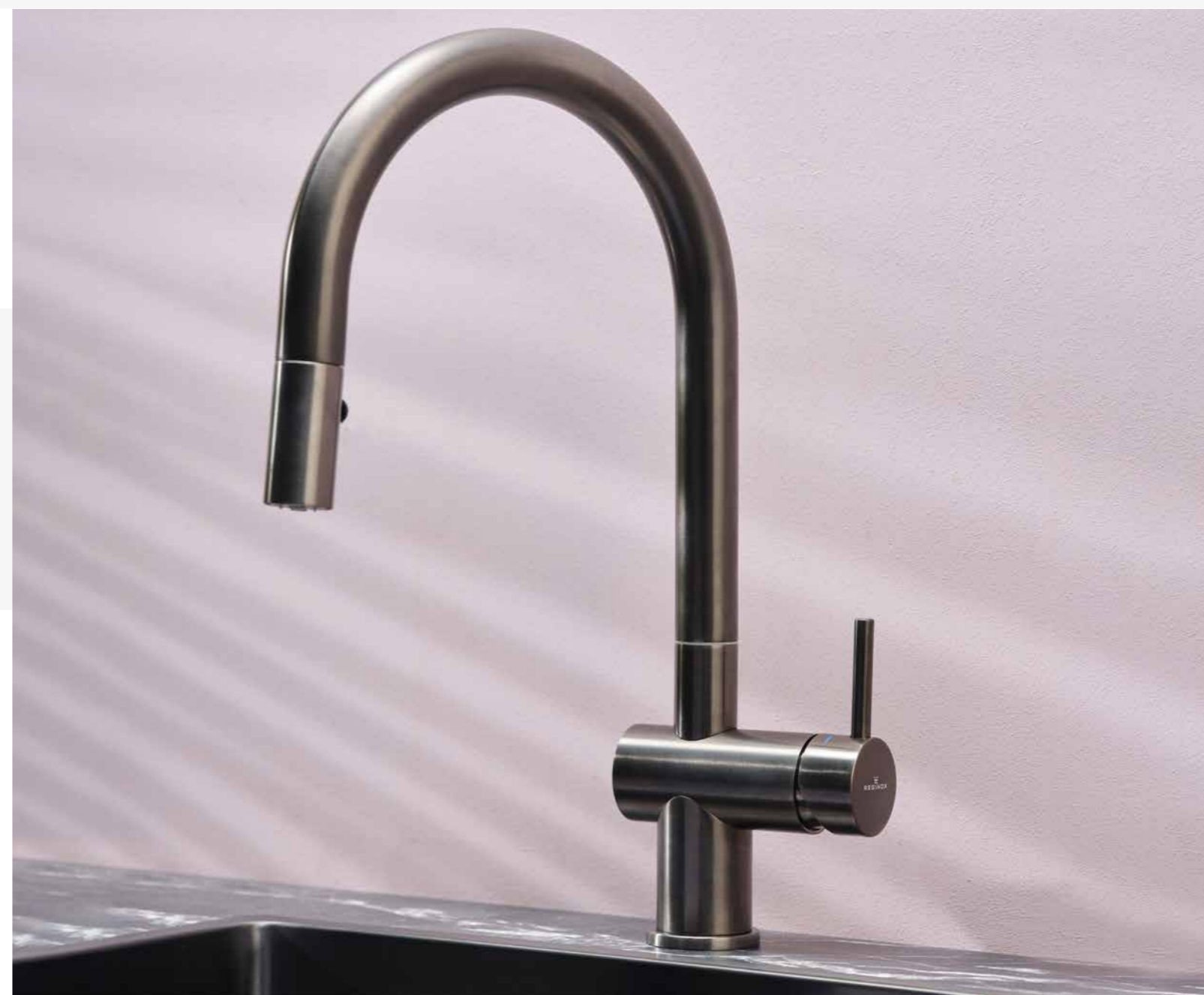
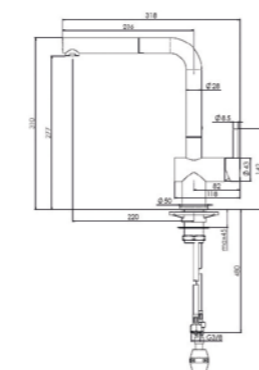
YAMPA
CHROME
Article number **R31698**

Single-handle tap



CEDAR
CHROME
Article number **R31636**

Single-handle tap
Pull-out possibility





Space saving syphon

This unique space saving design incorporates a 'none return valve' which removes the need for a bulky trap. It takes the pipework to the back of the cabinet meaning you can save space which is otherwise wasted by a traditional syphon.

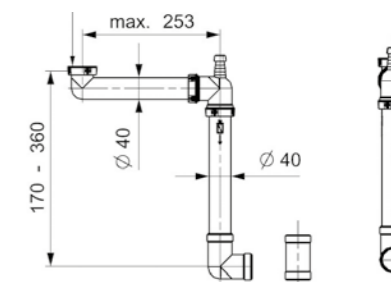
Our Panama is suitable for any type of sink, with its modern, simple design it can make a huge difference to any kitchen.



PANAMA-SYPHON

Article number **R26618**

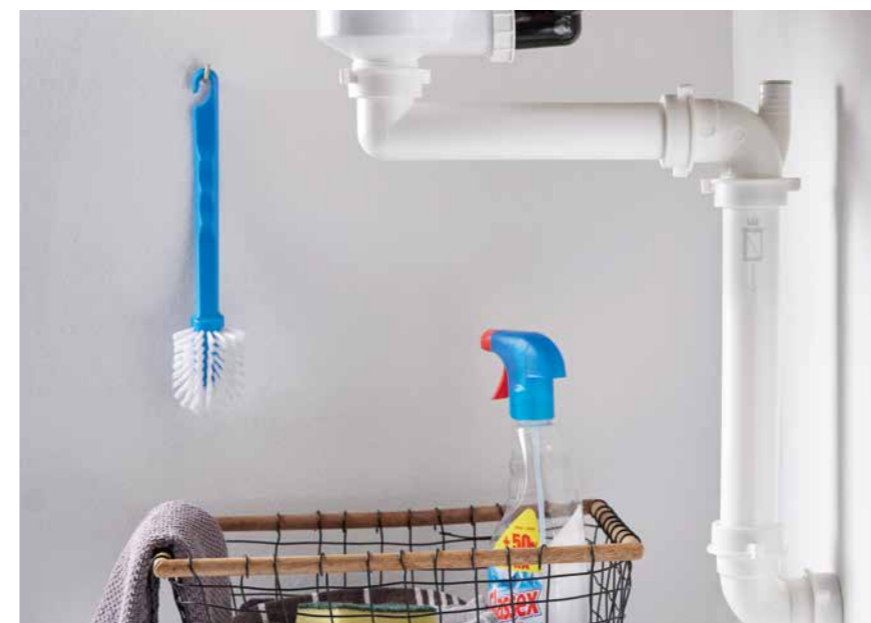
Red Dot award winner 2016
With dishwasher connection



PANAMA

THE SMARTEST WASTE SYSTEM

THE SPACE SAVING SYPHON IS A CUTTING-EDGE DESIGN THAT HELPS TO UTILISE THE SPACE UNDER YOUR KITCHEN SINK.



Helps to utilise the space under your kitchen sink



SUITABLE
ACCESSORIES



DRAINER SET

PURE BLACK 3,5"

Specially for Texel 40, 50, Amsterdam 40, 50

JET BLACK 3,5"

Specially for Ohio and New York

GUN METAL 3,5"

Specially for Granite: Texel 40, 50, Amsterdam 40, 50

GUN METAL 3,5"

Specially for Ohio and New York

COPPER 3,5"

Specially for Granite: Texel 40, 50, Amsterdam 40, 50

COPPER 3,5"

Specially for Ohio and New York

GOLD 3,5"

Specially for Granite: Texel 40, 50, Amsterdam 40, 50

GOLD 3,5"

Specially for Ohio and New York

Article number

R34699

R34293

R34880

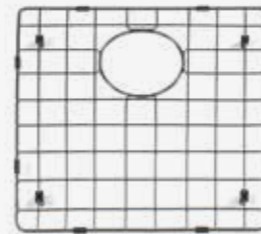
R35627

R34897

R35634

R34903

R35641



BOTTOMGRID STAINLESS STEEL

MIAMI 40X40 COPPER

Specially for Miami Copper

MIAMI 40X40 GOLD

Specially for Miami Gold

MIAMI 40X40 GUN METAL

Specially for Miami Gun Metal

MIAMI 50X40 COPPER

Specially for Miami Copper

MIAMI 50X40 GOLD

Specially for Miami Gold

MIAMI 50X40 GUN METAL

Specially for Miami Gun Metal

Article number

R30646

R30653

R30639

R30677

R30684

R30660





POPUP

- M1785**
- M1786**
Specially for New York, New Jersey and Comfort sinks
- M1787**
- M1880**
Specially for Texas
- M3060**
Specially for Amsterdam 25

Article number

- R22276**
- R32428**
- R20357**
- R22320**
- R32619**



COLANDER STAINLESS STEEL

- CENTURIO 1,5**
Specially for Centurio 1,5, Diplomat 1,5, Admiral 60, Queen 60
- MORENA STAINLESS STEEL 2515**
Specially for Morena
- NEW JERSEY**
Specially for New Jersey
- TEXAS/KANSAS/OHIO/NEW YORK**
Specially for Texas, Kansas, Ohio, New York

Article number

- R01097**
- R17128**
- R33838**
- R22146**



PUSH POPUP

- M1784**
- M1783**
Specially for New York, New Jersey and Comfort sinks
- M1783 GUN METAL SILVER**
Specially for New York Gun Metal Silver
- M1783 GOLD FLAX**
Specially for New York Gold Flax
- M1783 COPPER ROSE**
Specially for New York Copper Rose
- M1784 GUN METAL**
Specially for coated sinks
- M1784 GOLD**
Specially for coated sinks
- M1784 COPPER**
Specially for coated sinks

Article number

- R35078**
- R35085**
- R35689**
- R35696**
- R35702**
- R35658**
- R35672**
- R35665**



COLANDER PLASTIC

- MORENA**
Specially for Morena
- QUEEN**
Specially for Queen, Diplomat 1,5

Article number

- R04142**
- R16985**



COLANDER PVD

- COLANDER COPPER**
- COLANDER GOLD**
- COLANDER GUN METAL**

Article number

- R30554**
- R30561**
- R30547**



PROTECT AND MAINTAIN

- INOX CARE**
For protection and maintenance
Volume 150 ml.
- REGI-CLEAN DESCALER**
Cleans hygienically and gives a bright shine
Volume 250 ml.
- REGI-CLEAN OIL-COATING**
For PVD and Granite
Volume 250 ml.

Article number

- R15278**
- R34491**
- R34507**



SOAP DISPENSER

- SOAP DISPENSER CHROME**
- SOAP DISPENSER STAINLESS STEEL**
- SOAP DISPENSER GUN METAL**
- SOAP DISPENSER GOLD**
- SOAP DISPENSER COPPER**
- SOAP DISPENSER JET BLACK**

Article number

- R20180**
- R34798**
- R34804**
- R34828**
- R34811**
- R35450**

STRAINER



3.5" COPPER
Strainer Miami Copper



3.5" GOLD
Strainer Miami Gold



3.5" GUN METAL
Strainer Miami Gun Metal



3.5" COPPER ROSE
Strainer New York Copper Rose - Comfort

3.5" GOLD FLAX
Strainer New York Gold Flax - Comfort

3.5" GUN METAL SILVER
Strainer New York Gun Metal Silver - Comfort

R1149

Strainer

R1165

Strainer

R1167

Strainer

R1168

Strainer

R1175

Strainer

R1179

Strainer

R1181

Strainer

R1182

Strainer

R1187

Strainer

R1188

Strainer

R1189

Strainer

R1196

Strainer

R2002 FOR GRANITE SINKS

Strainer

R3016 JET BLACK

Strainer

Article number

R30615

R30622

R30608

R35214

R35221

R35207

R34248

R16893

R18637

R18644

R18651

R17111

R29824

R29831

R31384

R31117

R27479

R22412

R35856

R34286



STANDPIPE

10 CM

Standpipe 10 cm

15 CM

Standpipe 15 cm

3.5"

Standpipe PVC

Article number

R33821

R20234

R26434

UNDERMOUNT CLIPS

Article number

UNDERMOUNT CLIPS (6 pieces)

R18996

UNDERMOUNT CLIPS GRANITE (8 pieces)

R33449



SYPHON



SYPHON STANDARD

SYPHON PANAMA

SYPHON CHROME 1,25" (AQUA LINE)

Article number

R18934

R26618

R18941


REGINOX

THE CROWN FOR YOUR KITCHEN



Reginox bv

A Noordermorssingel 2
7461 JN Rijssen
The Netherlands
T + 31 (0)548 53 56 35
E info@reginox.com
www.reginox.com

Reginox UK Ltd

A Units 1-4 Radnor Park Trading Estate
Back Lane Congleton Cheshire
CW12 4XJ England
T + 44 (0)1260 28 00 33
E sales@reginox.co.uk
www.reginox.co.uk

Reginox Far East Pte Ltd

A 2 Loyang Lane #03-03
Singapore 508913
T + (65)67 88 53 63
E info@reginox.com.sg
www.reginox.com.sg